



DC PLASTIC

13*14*05.....	page 4
15*14*04.....	page 5
17*13*08.....	page 6
18*18*04.....	page 7
20*20*06.....	page 8
25*25*10.....	page 9
30*08.....	page 10
30*30*10.....	page 11
30*30*15.....	page 12
36*36*28.....	page 13
38*38*20.....	page 14
38*38*28.....	page 15
38*38*48.....	page 16
40*40*10.....	page 17
40*40*15.....	page 18
40*40*15Y.....	page 19
40*40*20B.....	page 20
40*40*28B.....	page 21
40*40*28D.....	page 22
45*45*10.....	page 23
50*50*10.....	page 24
50*50*15.....	page 25
50*50*20.....	page 26
60*60*10.....	page 27
60*60*10Y.....	page 28

Head Office : No. 6-6-3, Gushan 3rd Rd., Gushan District, Kaohsiung City 804, Taiwan (R.O.C.)

Export Dep : Rm 06,B1F., No 321, Dadun 4th St., Nantun Dist., Taichung City 408, Taiwan (R.O.C.)

Head Office Tel : 886-7-532 5777 Fax : 886-7-532 6777 Export Dep : 886-4-24718676

E-mail: sales@chanyu.com.tw





DC PLASTIC

60*60*15.....	page 29
60*60*20.....	page 30
60*60*20Y.....	page 31
60*60*25.....	page 32
60*60*25Y.....	page 33
60*60*38.....	page 34
60*60*56.....	page 35
70*70*10.....	page 36
70*70*15.....	page 37
70*70*25.....	page 38
80*80*15.....	page 39
80*80*20.....	page 40
80*80*25.....	page 41
80*80*25D.....	page 42
80*80*32.....	page 43
80*80*32Y.....	page 44
80*80*38.....	page 45
80*80*56.....	page 46
92*92*25C.....	page 47
92*92*25Y.....	page 48
92*92*38.....	page 49
92*92*38Y.....	page 50
120*120*25C.....	page 51
120*120*25Y.....	page 52
120*120*32Y.....	page 53
120*120*38.....	page 54

Head Office : No. 6-6-3, Gushan 3rd Rd., Gushan District, Kaohsiung City 804, Taiwan (R.O.C.)

Export Dep : Rm 06,B1F., No 321, Dadun 4th St., Nantun Dist., Taichung City 408, Taiwan (R.O.C.)

Head Office Tel : 886-7-532 5777 Fax : 886-7-532 6777 Export Dep : 886-4-24718676

E-mail: sales@chanyu.com.tw





DC PLASTIC

120*120*38P.....	page 55
127*127*38.....	page 56~57
140*140*25.....	page 58
172*150*38.....	page 59
172*51.....	page 60
172*150*51.....	page 61
172*150*55.....	page 62
176*176*89.....	page 63~64
180*180*65.....	page 65~66
200*70.....	page 67~68
254*89(3).....	page 69
254*89.....	page 70~71
280*280*89.....	page 72~73

DC STEEL

172*150*38.....	page 74
172*51.....	page 75
172*150*51.....	page 76
172*150*55.....	page 77
176*176*89.....	page 78~79
180*180*65.....	page 80~81
200*70.....	page 82~83
225*225*80.....	page 84
254*89.....	page 85
280*280*80.....	page 86
280*280*89.....	page 87

Head Office : No. 6-6-3, Gushan 3rd Rd., Gushan District, Kaohsiung City 804, Taiwan (R.O.C.)

Export Dep : Rm 06,B1F., No 321, Dadun 4th St., Nantun Dist., Taichung City 408, Taiwan (R.O.C.)

Head Office Tel : 886-7-532 5777 Fax : 886-7-532 6777 Export Dep : 886-4-24718676

E-mail: sales@chanyu.com.tw





□ 13x14x05 mm



Frame: Plastic

Impeller: Plastic Material UL94V-0

Operation Temperature Range: -10°C ~ +60°C

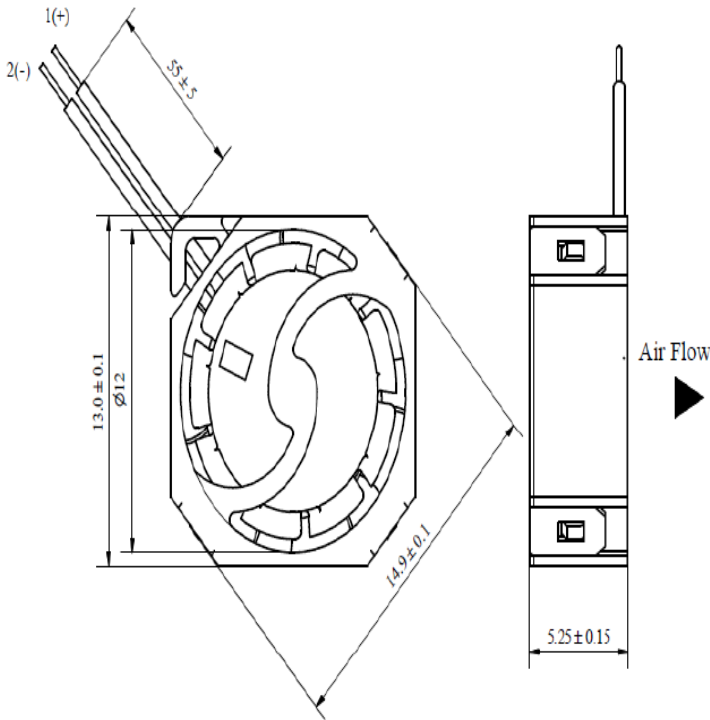
Storage Temperature Range: -20°C ~ +70°C

Bearing: Sleeve bearing

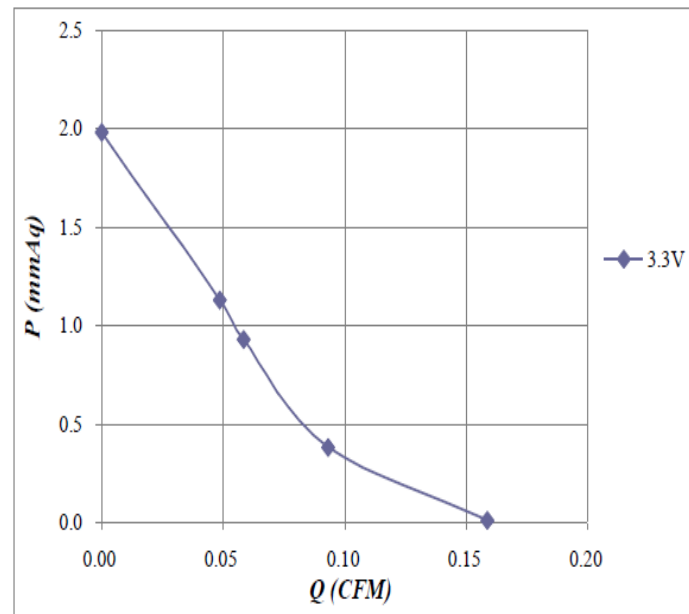
Motor Structure: DC Brushless Motor

Package: 1.17g / PC

Dimension (units:mm)



Characteristic Curves



Micro DC Axial Fan

SPECIFICATION

Model	Voltage (V)	Operating Voltage Range(VDC)	Current (A)	Speed (RPM)	Air Flow (CFM)	Pressure (in-H2O)	Noise (dB)
CD031305	3.3	2.8 – 3.6	0.039	16000	0.16	1.98	15.7



□ 15x14x04 mm



Frame: Plastic

Impeller: Plastic Material UL94V-0

Operation Temperature Range: -10°C ~ +60°C

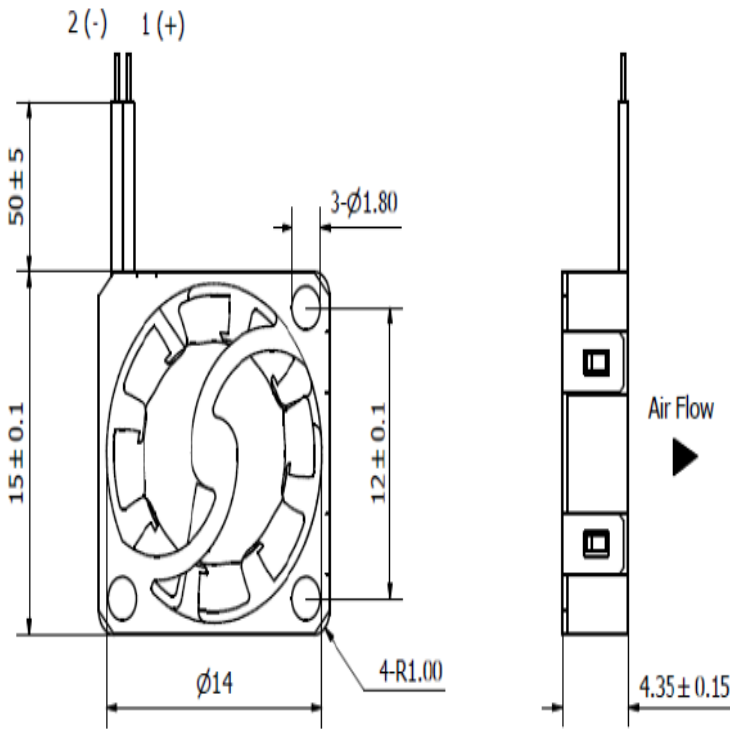
Storage Temperature Range: -20°C ~ +70°C

Bearing: Sleeve bearing

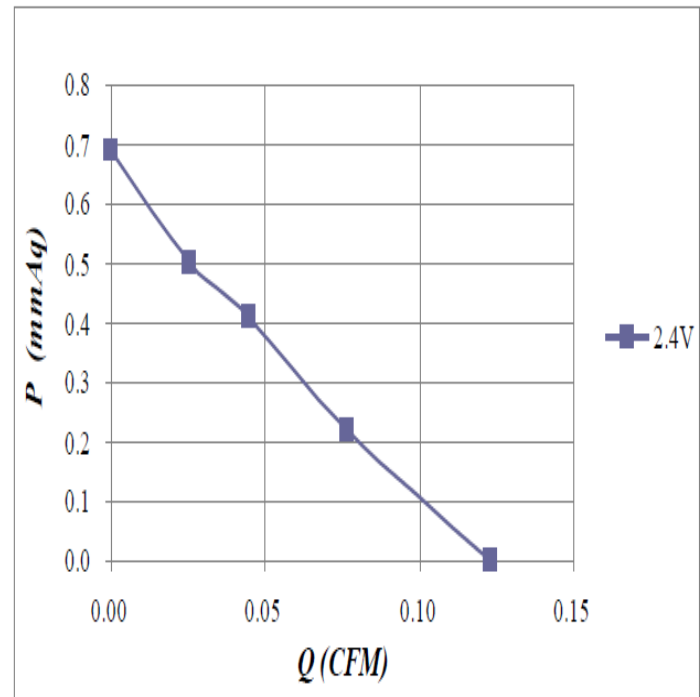
Motor Structure: DC Brushless Motor

Package: 1.27g / PC

Dimension (units:mm)



Characteristic Curves



SPECIFICATION

Model	Voltage (V)	Operating Voltage Range(VDC)	Current (A)	Speed (RPM)	Air Flow (CFM)	Pressure (in-H2O)	Noise (dB)
CD021504	2.4	2.4 – 3.3	0.011	7500	0.12	0.69	14.6



□ 17x13x08 mm



Frame: Plastic

Impeller: Plastic Material UL94V-0

Operation Temperature Range: -10°C ~ +60°C

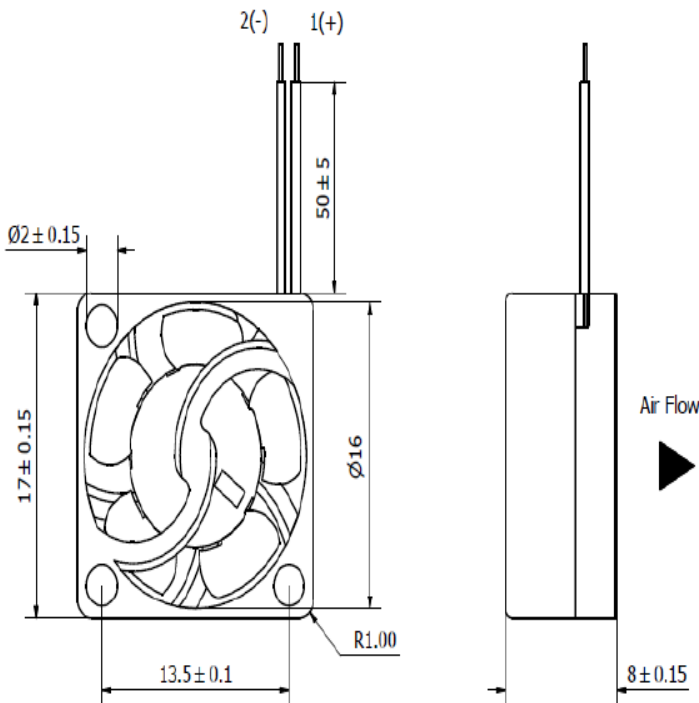
Storage Temperature Range: -20°C ~ +70°C

Bearing: Sleeve bearing

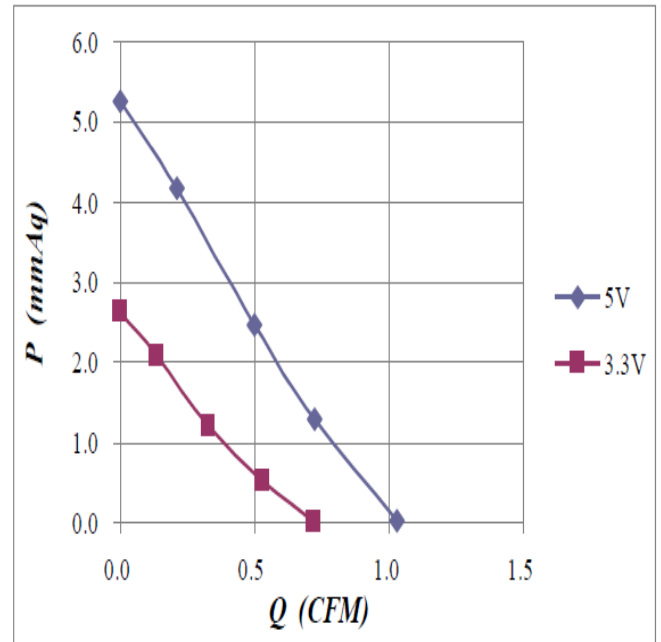
Motor Structure: DC Brushless Motor

Package: 2.06g / PC

Dimension (units:mm)



Characteristic Curves



SPECIFICATION

Model	Voltage (V)	Operating Voltage Range(VDC)	Current (A)	Speed (RPM)	Air Flow (CFM)	Pressure (in-H2O)	Noise (dB)
CD031708	3.3	2.8 – 3.6	0.05	11000	0.72	2.63	16.5
CD051708	5	4.5 – 5.5	0.07	16000	1.03	5.26	26.8

Micro DC Axial Fan



□ 18x18x04 mm



Frame: Plastic

Impeller: Plastic Material UL94V-0

Operation Temperature Range: -10°C ~ +60°C

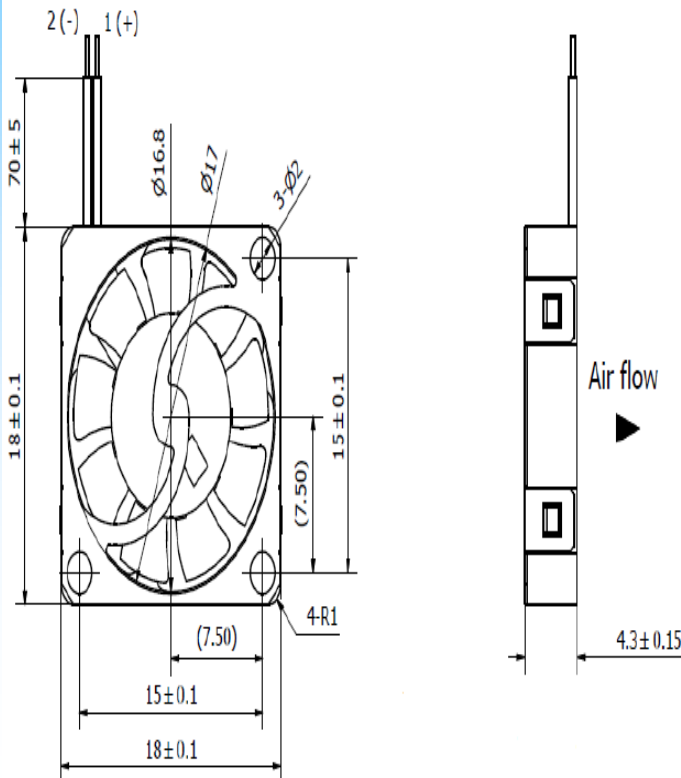
Storage Temperature Range: -20°C ~ +70°C

Bearing: Sleeve bearing

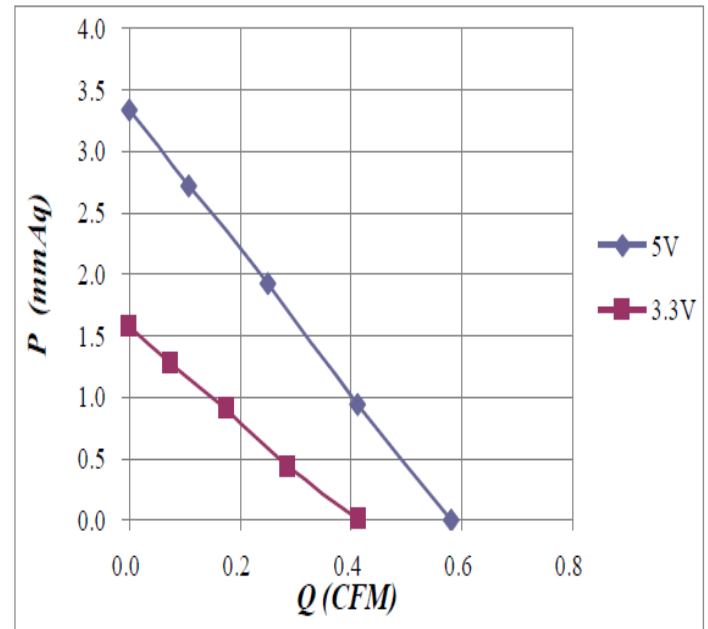
Motor Structure: DC Brushless Motor

Package: 1.63 g / PC

Dimension (units:mm)



Characteristic Curves



SPECIFICATION

Model	Voltage (V)	Operating Voltage Range(VDC)	Current (A)	Speed (RPM)	Air Flow (CFM)	Pressure (in-H2O)	Noise (dB)
CD031804	3.3	2.8 – 3.6	0.041	9000	0.41	1.57	15.9
CD051804	5	4.5 – 5.5	0.058	13000	0.58	3.34	24.9

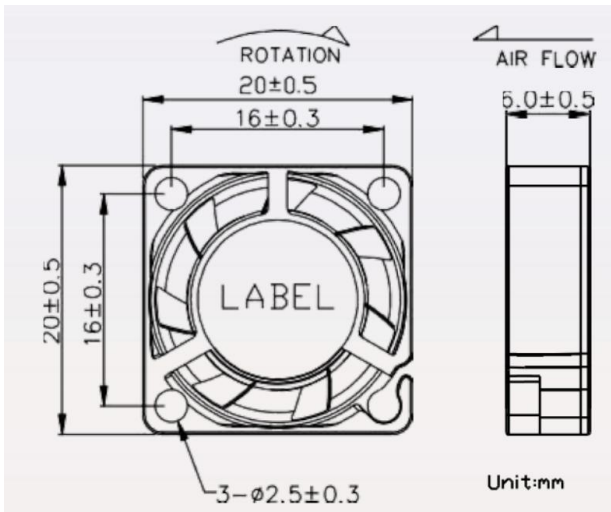


□ 20x20x06 mm

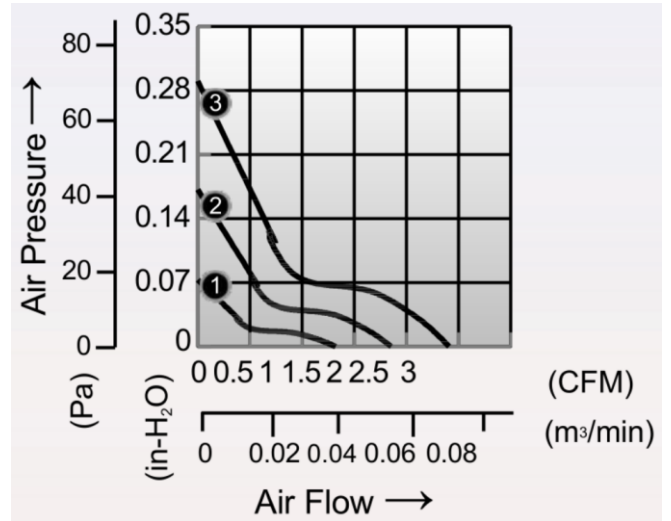
- Frame:** Plastic
- Impeller:** Plastic Material UL94V-0
- Ambient Temperature Range:** -10°C ~ +70°C
- Bearing:** FMB
- Motor Structure:** DC Brushless Motor
- Package:** 4g / PC



Dimension (units:mm)



Characteristic Curves



DC Axial Fan

SPECIFICATION

Model	Voltage (V)	Operating Voltage Range(VDC)	Current (A)	Speed (RPM)	Air Flow (CFM)	Pressure (in-H2O)	Noise (dB)
CD052006LF	5	4.5 – 5.5	0.02	7000	0.35	0.03	10
CD052006MF	5	4.5 – 5.5	0.05	10000	0.71	0.07	16
CD052006HF	5	4.5 – 5.5	0.10	13000	1.06	0.13	16



□ 25x25x10 mm



Frame: Plastic

Impeller: Plastic Material UL94V-0

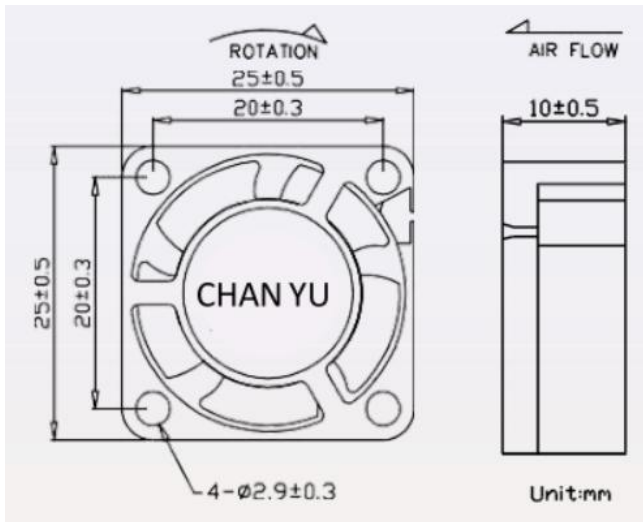
Ambient Temperature Range: -10°C ~ +70°C

Bearing: FMB/ball

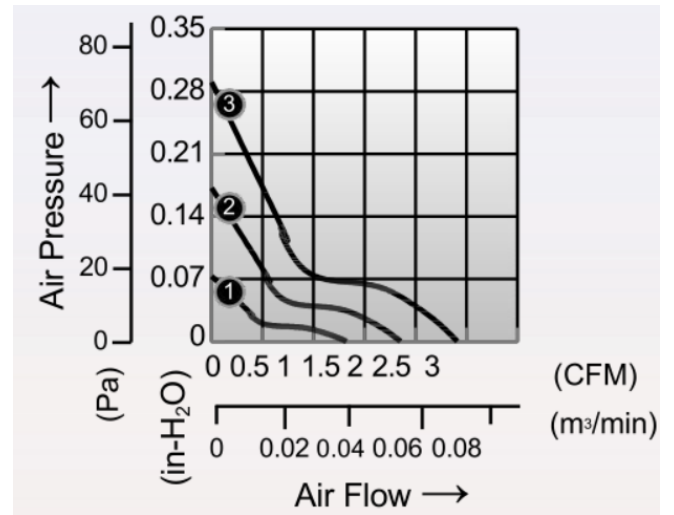
Motor Structure: DC Brushless Motor

Package: 8g / PC

Dimension (units:mm)



Characteristic Curves



SPECIFICATION

Model	Voltage (V)	Operating Voltage Range(VDC)	Current (A)	Speed (RPM)	Air Flow (CFM)	Pressure (in-H ₂ O)	Noise (dB)
CD052510JB	5	4.5 – 5.5	0.05	4000	0.52	0.03	10
CD052510LB	5	4.5 – 5.5	0.08	7000	1.32	0.07	20
CD052510MB	5	4.5 – 5.5	0.13	10000	1.85	0.17	24
CD052510HB	5	4.5 – 5.5	0.22	13000	2.41	0.29	28
CD122510LB	12	7.0 – 13.2	0.07	7000	1.32	0.07	20
CD122510MB	12	7.0 – 13.2	0.08	10000	1.85	0.17	24
CD122510HB	12	7.0 – 13.2	0.12	13000	2.41	0.29	28
CD242510HB	24	14.0 – 26.4	0.07	13000	2.41	0.29	28



□ 30x08 mm



Motor: DC single phase brushless motor

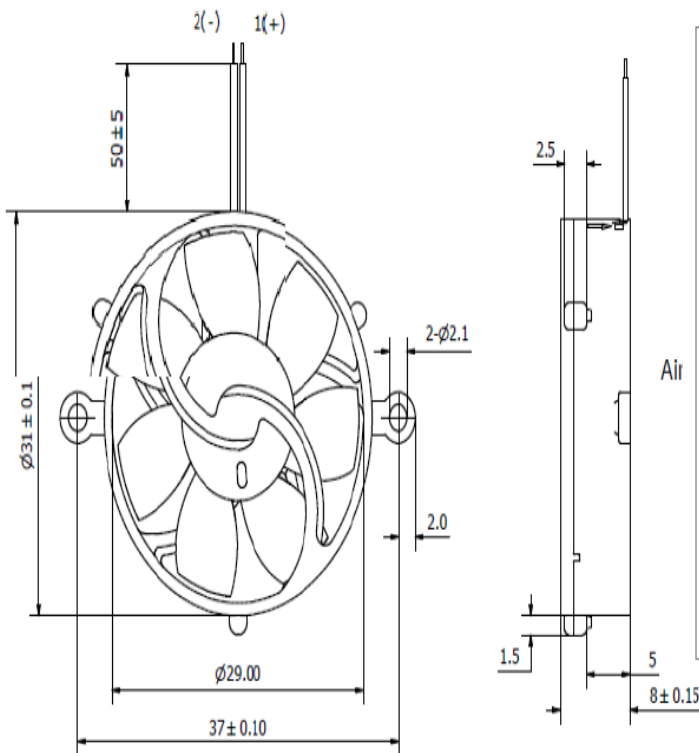
Material: Plastic(94V-0)

Operation Temperature: -10°C ~ +60°C

Storage Temperature: -20°C ~ +70°C

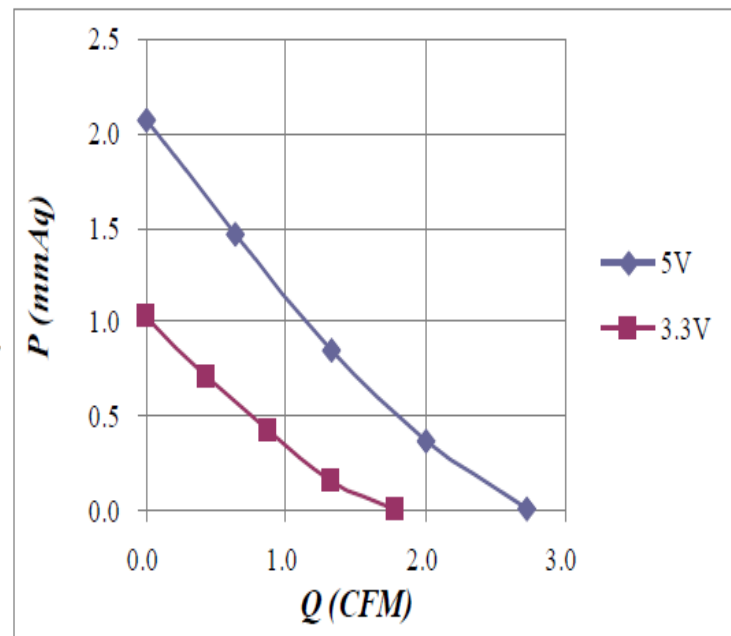
Weight: 3.82 g / PC

Drawing:



NOTE
WIRE:UL1571 AWG#30

Characteristic Curves



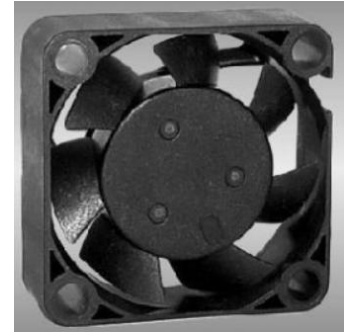
Micro DC Axial Fan

SPECIFICATION

Model	Voltage (V)	Operating Voltage Range(VDC)	Current (A)	Speed (RPM)	Air Flow (CFM)	Pressure (in-H ₂ O)	Noise (dB)
CD033008	3.3	2.8 – 3.6	0.037	4200	1.79	1.02	15.9
CD053008	5	4.5 – 5.5	0.053	6200	2.72	2.07	24.3



□ 30x30x10 mm



Frame: Plastic

Impeller: Plastic Material UL94V-0

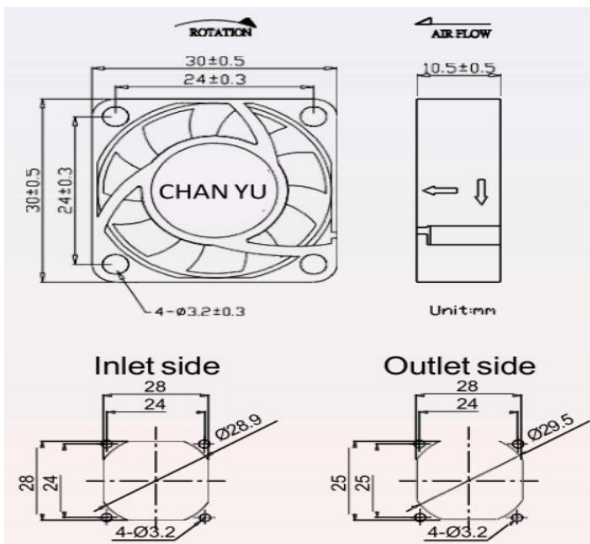
Ambient Temperature Range: -10°C ~ +70°C

Bearing: FMB/ball

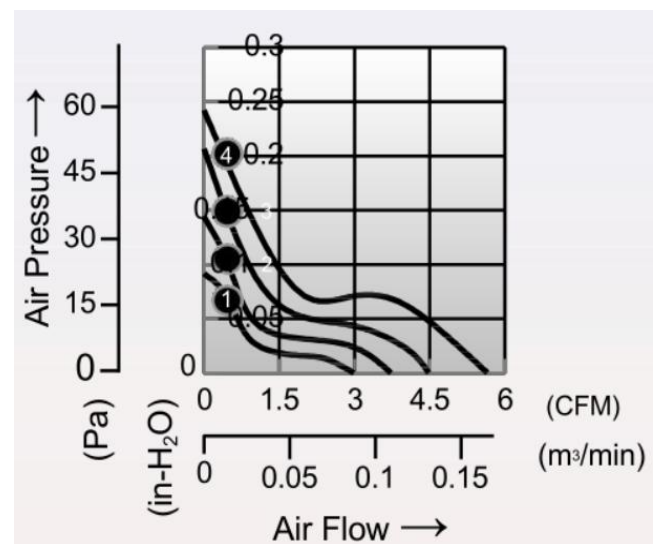
Motor Structure: DC Brushless Motor

Package: 10 g / PC

Dimension (units:mm)



Characteristic Curves



DC Axial Fan

SPECIFICATION

Model	Voltage (V)	Operating Voltage Range(VDC)	Current (A)	Speed (RPM)	Air Flow (CFM)	Pressure (in-H ₂ O)	Noise (dB)
CD053010LB	5	4.5 – 5.5	0.09	6000	2.99	0.09	17
CD053010MB	5	4.5 – 5.5	0.12	7500	3.73	0.14	24
CD053010HB	5	4.5 – 5.5	0.24	9000	4.48	0.21	29
CD053010XB	5	4.5 – 5.5	0.27	11000	5.56	0.24	31
CD123010LB	12	7.0 – 13.2	0.03	6000	2.99	0.09	17
CD123010MB	12	7.0 – 13.2	0.05	7500	3.73	0.14	24
CD123010HB	12	7.0 – 13.2	0.07	9000	4.48	0.21	29
CD123010HB	12	7.0 – 13.2	0.09	11000	5.65	0.24	31



□ 30x30x15 mm



Frame: Plastic

Impeller: Plastic Material UL94V-0 P.B.T

Ambient Temperature Range: -10°C ~ +70°C

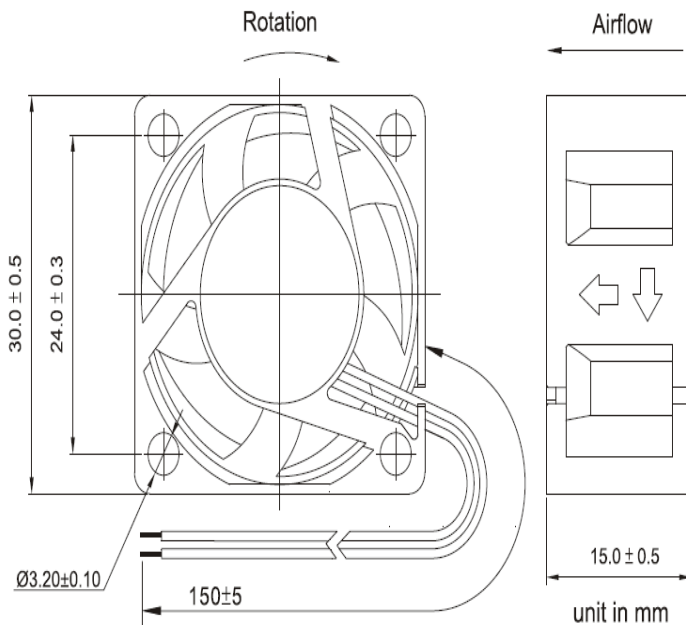
Bearing: Sleeve or Ball

Motor Structure: DC Brushless Motor

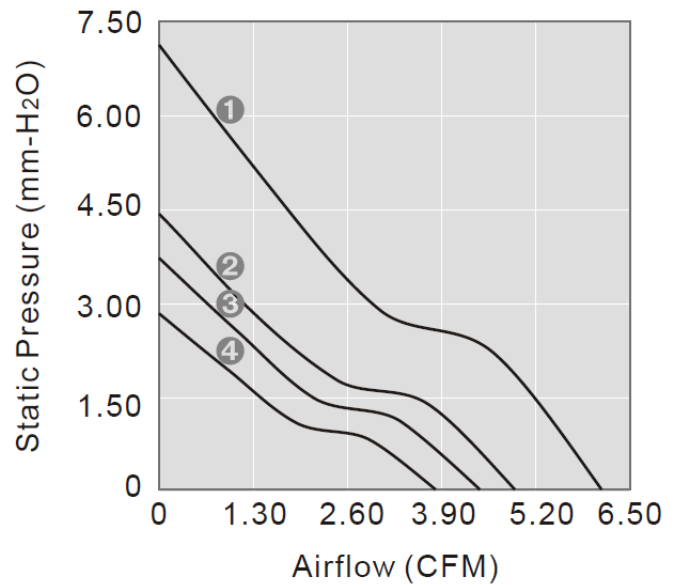
Termination: Lead wire 150± 5mm

Package: 13g / PC

Dimension (units:mm)



Characteristic Curves



DC Axial Fan

SPECIFICATION

Model	Voltage (V)	Operating Voltage Range(VDC)	Current (A)	Power (W)	Speed (RPM)	Air Flow (CFM)	Pressure (in-H2O)	Noise (dB)
CD053015LBL	5	4~5.5	0.06	0.3	7000	3.8	0.11	<17
CD053015MBL	5	4~5.5	0.085	0.42	8000	4.4	0.15	20.5
CD053015HBL	5	4~5.5	0.11	0.55	9000	4.9	0.17	25
CD053015XBL	5	4~5.5	0.2	1	11000	5.7	0.25	30
CD123015LBL	12	7~13.2	0.03	0.36	7000	3.8	0.11	<17
CD123015MBL	12	7~13.2	0.04	0.48	8000	4.4	0.15	20.5
CD123015HBL	12	7~13.2	0.045	0.54	9000	4.9	0.17	25
CD123015XBL	12	7~13.2	0.09	1.08	11500	6.1	0.28	30



□ 36x36x28 mm



Frame: Plastic

Impeller: Plastic Material UL94V-0 P.B.T

Ambient Temperature Range: -10°C ~ +70°C

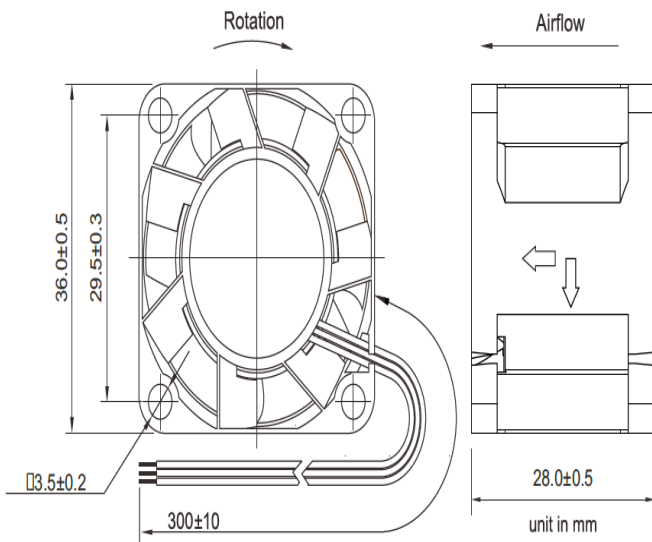
Bearing: Sleeve or Ball

Motor Structure: DC Brushless Motor

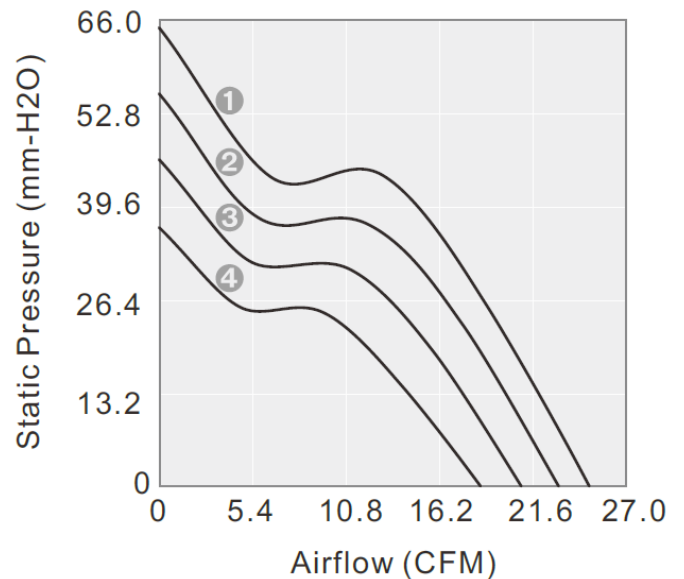
Termination: Lead wire 300± 10mm

Package: 46.5g / PC

Dimension (units:mm)



Characteristic Curves



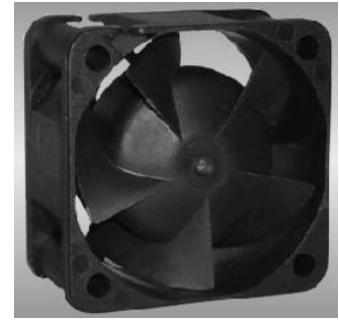
DC Axial Fan

SPECIFICATION

Model	Voltage (V)	Operating Voltage Range(VDC)	Current (A)	Power (W)	Speed (RPM)	Air Flow (CFM)	Pressure (in-H2O)	Noise (dB)
CD123628MBL	12	7~13.2	0.5	6	17000	18.74	1.44	56
CD123628HBL	12	7~13.2	0.65	7.8	19000	21.05	1.83	59.5
CD123628UBL	12	7~13.2	0.85	10.2	21000	23.22	2.19	61
CD123628VBL	12	7~13.2	1	12	23000	24.99	2.56	63



□ 38x38x20 mm



Frame: Plastic

Impeller: Plastic Material UL94V-0

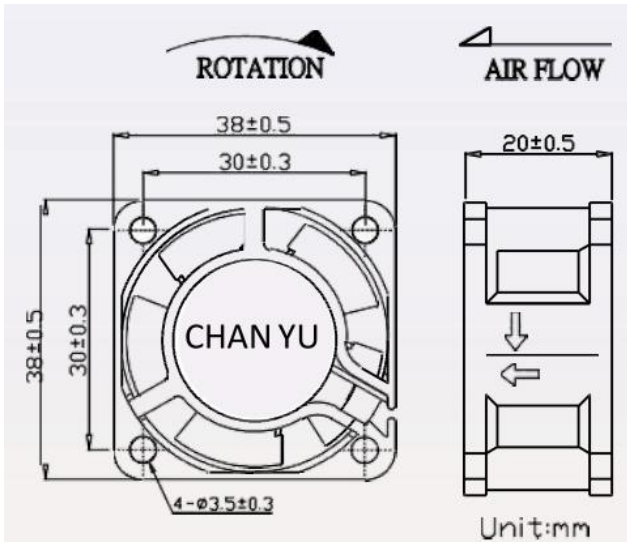
Ambient Temperature Range: -10°C ~ +70°C

Bearing: Ball

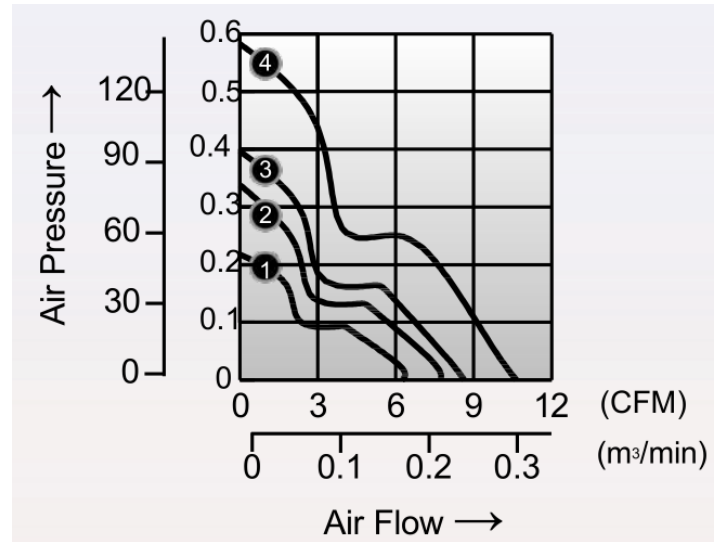
Motor Structure: DC Brushless Motor

Package: 31 g / PC

Dimension (units:mm)



Characteristic Curves



DC Axial Fan

SPECIFICATION

Model	Voltage (V)	Operating Voltage Range(VDC)	Current (A)	Speed (RPM)	Air Flow (CFM)	Pressure (in-H ₂ O)	Noise (dB)
CD123820LB	12	7.0 – 13.2	0.10	6700	6.3	0.22	36
CD123820MB	12	7.0 – 13.2	0.12	8000	7.4	0.34	40
CD123820HB	12	7.0 – 13.2	0.13	8900	8.6	0.39	42
CD123820XB	12	7.0 – 13.2	0.30	10000	10.6	0.58	43
CD243820LB	24	14.0 – 26.4	0.07	6700	6.3	0.22	36
CD243820MB	24	14.0 – 26.4	0.07	8000	7.4	0.34	40
CD243820HB	24	14.0 – 26.4	0.09	8900	8.6	0.39	42
CD243820XB	24	14.0 – 26.4	0.17	10000	10.6	0.58	43



□ 38x38x28 mm



Frame: Plastic

Impeller: Plastic Material UL94V-0

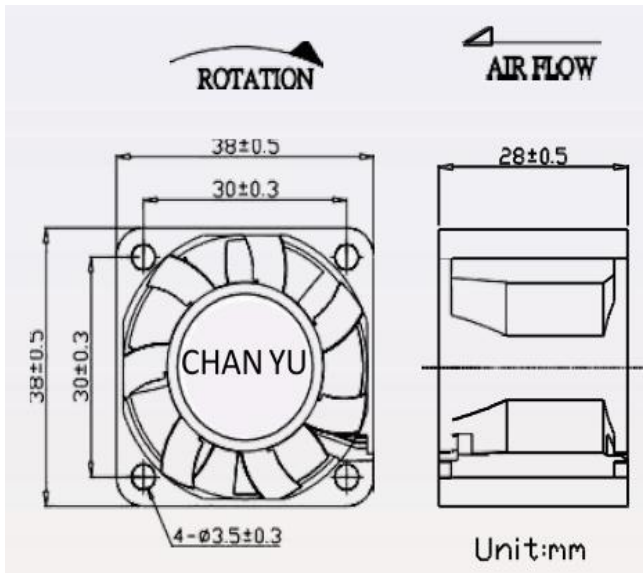
Ambient Temperature Range: -10°C ~ +70°C

Bearing: Ball

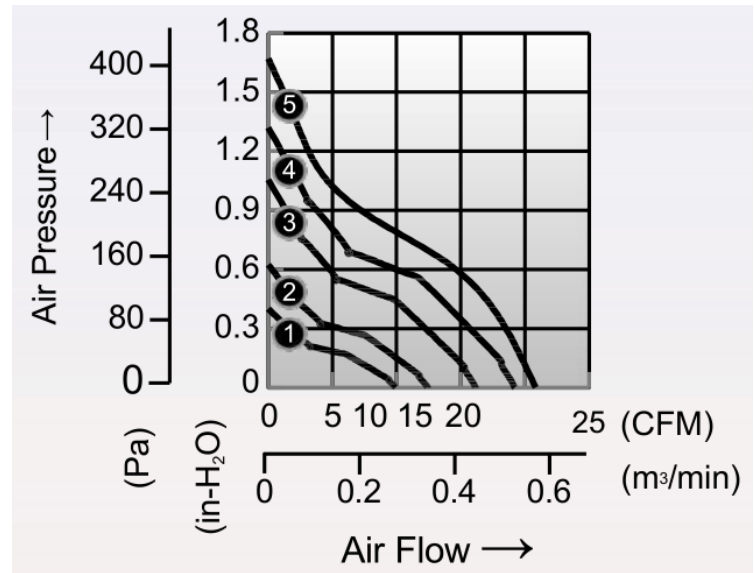
Motor Structure: DC Brushless Motor

Package: 40 g / PC

Dimension (units:mm)



Characteristic Curves



DC Axial Fan

SPECIFICATION

Model	Voltage (V)	Operating Voltage Range(VDC)	Current (A)	Speed (RPM)	Air Flow (CFM)	Pressure (in-H ₂ O)	Noise (dB)
CDB123828LB	12	7.0 – 13.2	0.11	8000	9.44	0.39	38
CDB123828MB	12	7.0 – 13.2	0.15	10000	12.46	0.63	44
CDB123828HB	12	7.0 – 13.2	0.29	13000	16.3	1.02	51
CDB123828XB	12	7.0 – 13.2	0.48	15000	19.16	1.37	55
CDB123828UB	12	7.0 – 13.2	0.85	17000	20.8	1.67	59



□ **38x38x48 mm**



Frame: Plastic

Impeller: Plastic Material UL94V-0 P.B.T

Ambient Temperature Range: -10°C ~ +70°C

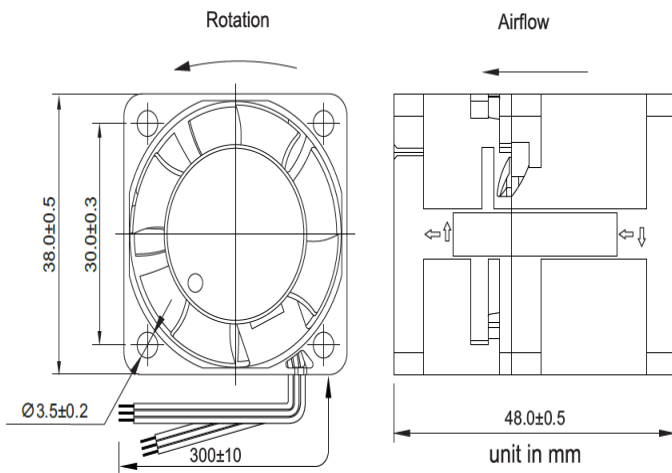
Bearing: Sleeve or Ball

Motor Structure: DC Brushless Motor

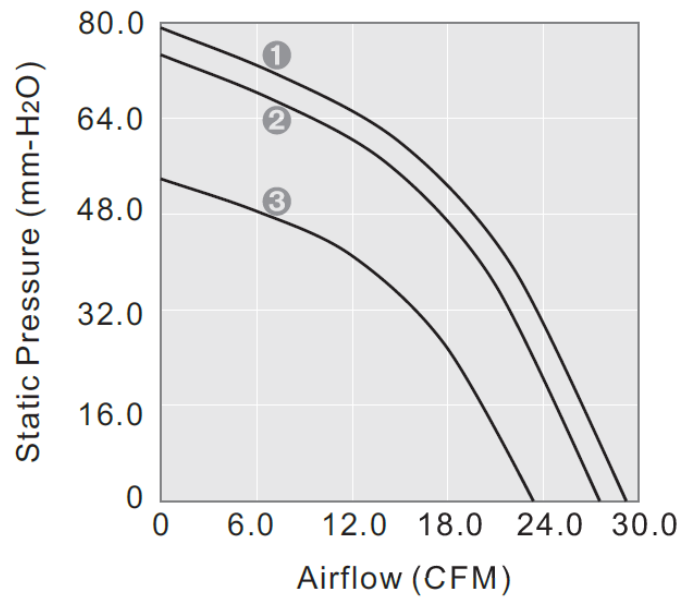
Termination: Lead wire 300± 10mm

Package: 72.4 g / PC

Dimension (units:mm)



Characteristic Curves



DC Axial Fan

SPECIFICATION

Model	Voltage (V)	Operating Voltage Range(VDC)	Current (A)	Power (W)	Speed (RPM)	Air Flow (CFM)	Pressure (in-H2O)	Noise (dB)
CD123848HBL	12	7~13.2	0.45	5.4	20000	23.48	2.12	59
CD123848XBL	12	7~13.2	0.7	8.4	23500	27.62	2.94	62.5
CD123848UBL	12	7~13.2	0.83	9.6	25000	29.28	3.11	64



□ 40x40x10 mm



Frame: Plastic

Impeller: Plastic Material UL94V-0

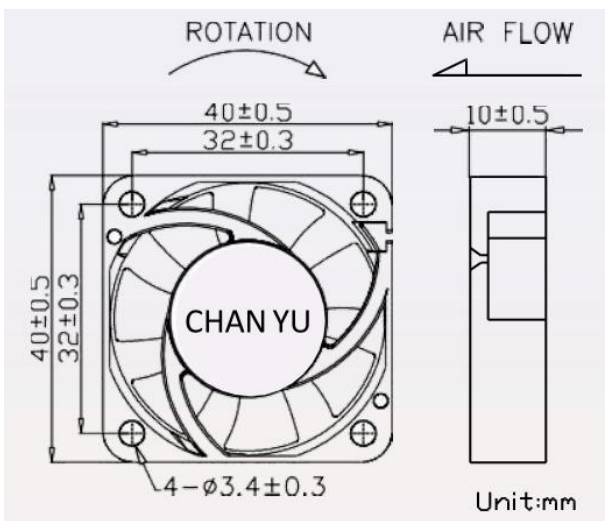
Ambient Temperature Range: -10°C ~ +70°C

Bearing: Ball

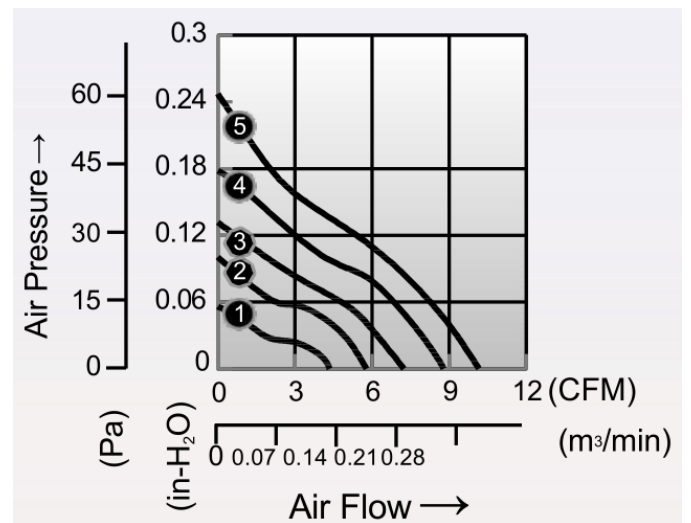
Motor Structure: DC Brushless Motor

Package: 20 g / PC

Dimension (units:mm)



Characteristic Curves



SPECIFICATION

Model	Voltage (V)	Operating Voltage Range(VDC)	Current (A)	Speed (RPM)	Air Flow (CFM)	Pressure (in-H ₂ O)	Noise (dB)
CD054010LB	5	4.5 – 5.5	0.14	4000	4.75	0.06	21
CD054010MB	5	4.5 – 5.5	0.18	6000	7.24	0.11	26
CD054010HB	5	4.5 – 5.5	0.29	8000	9.25	0.20	35
CD124010MB	12	7.0 – 13.2	0.10	4000	4.75	0.06	21
CD124010HB	12	7.0 – 13.2	0.11	6000	7.24	0.11	26
CD124010XB	12	7.0 – 13.2	0.14	8000	9.25	0.20	33
CD124010UB	12	7.0 – 13.2	0.18	10000	12.23	0.33	39
CD244010LB	24	14.0 – 26.4	0.06	4000	4.75	0.06	21
CD244010MB	24	14.0 – 26.4	0.09	8000	9.25	0.20	33
CD244010HB	24	14.0 – 26.4	0.09	10000	12.23	0.33	39



□ 40x40x15 mm



Frame: Plastic

Impeller: Plastic Material UL94V-0

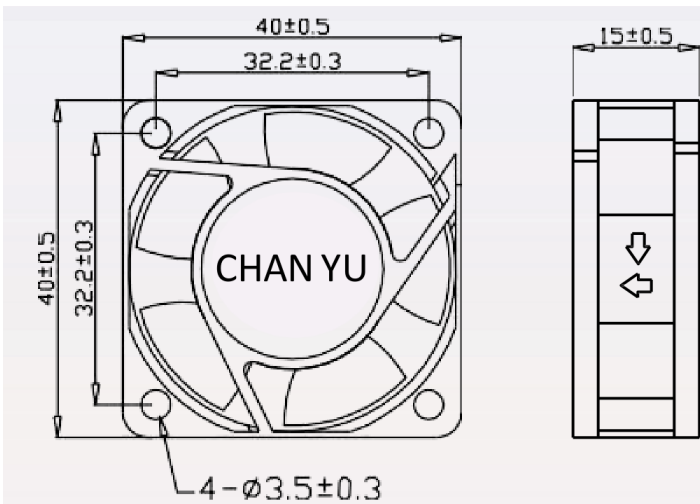
Ambient Temperature Range: -10°C ~ +70°C

Bearing: Ball

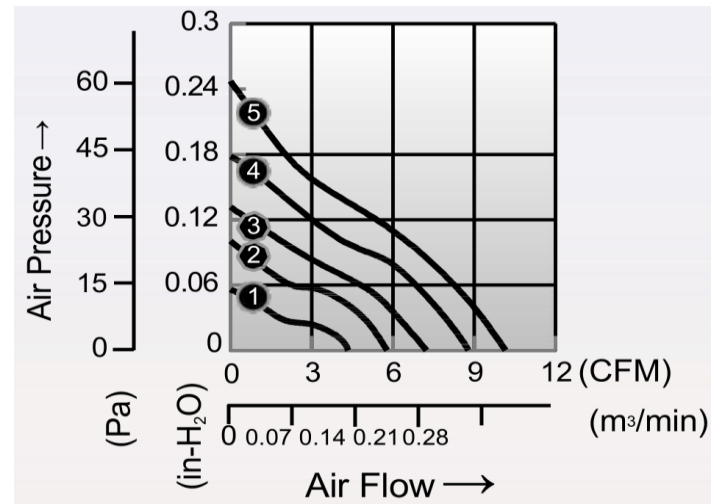
Motor Structure: DC Brushless Motor

Package: 25 g / PC

Dimension (units:mm)



Characteristic Curves



SPECIFICATION

Model	Voltage (V)	Operating Voltage Range(VDC)	Current (A)	Speed (RPM)	Air Flow (CFM)	Pressure (in-H2O)	Noise (dB)
CD124015LB	12	7.0 – 13.2	0.11	9000	10.62	0.31	33.5
CD124015MB	12	7.0 – 13.2	0.13	10300	11.80	0.38	36
CD124015HB	12	7.0 – 13.2	0.17	11000	12.98	0.46	39.5



□ 40x40x15 mm



Frame: Plastic

Impeller: Plastic Material UL94V-0 P.B.T

Ambient Temperature Range: -10°C ~ +70°C

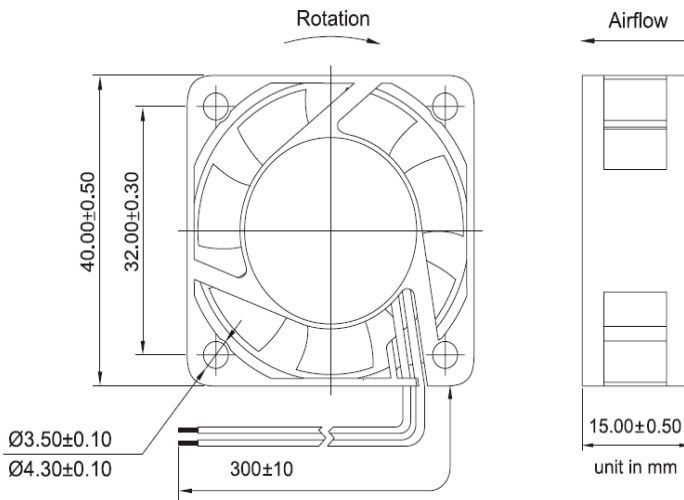
Bearing: Sleeve or Ball

Motor Structure: DC Brushless Motor

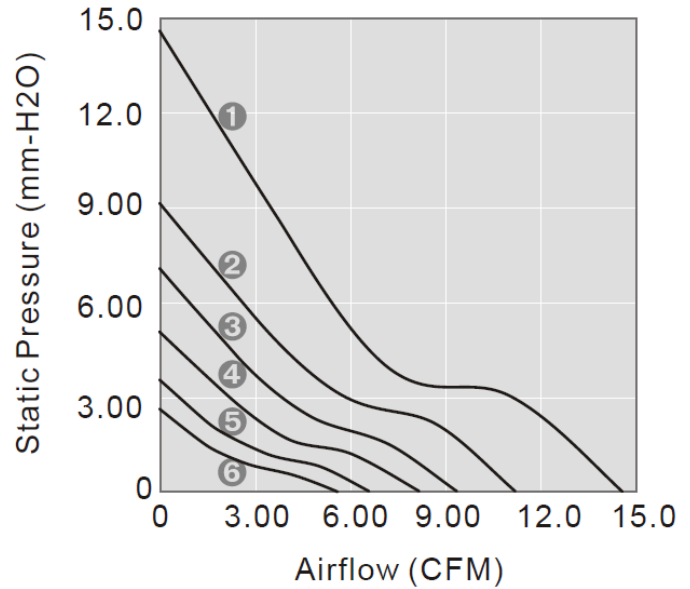
Termination: Lead wire 300± 10mm

Package: 26g / PC

Dimension (units:mm)



Characteristic Curves



DC Axial Fan

SPECIFICATION

Model	Voltage (V)	Operating Voltage Range(VDC)	Current (A)	Power (W)	Speed (RPM)	Air Flow (CFM)	Pressure (in-H2O)	Noise (dB)
CD124015LBL	12	7~13.2	0.09	1.08	5000	5.6	0.1	24
CD124015MBL	12	7~13.2	0.1	1.2	6000	6.6	0.14	29.3
CD124015HBL	12	7~13.2	0.13	1.56	7000	8.2	0.2	33.2
CD124015XBL	12	7~13.2	0.19	2.28	8300	9.4	0.28	36.8
CD124015UBL	12	7~13.2	0.24	2.88	9500	11.2	0.36	40.8
CD124015VBL	12	7~13.2	0.28	3.36	11000	14.6	0.57	42.5



□ 40x40x20 mm



Frame: Plastic

Impeller: Plastic Material UL94V-0

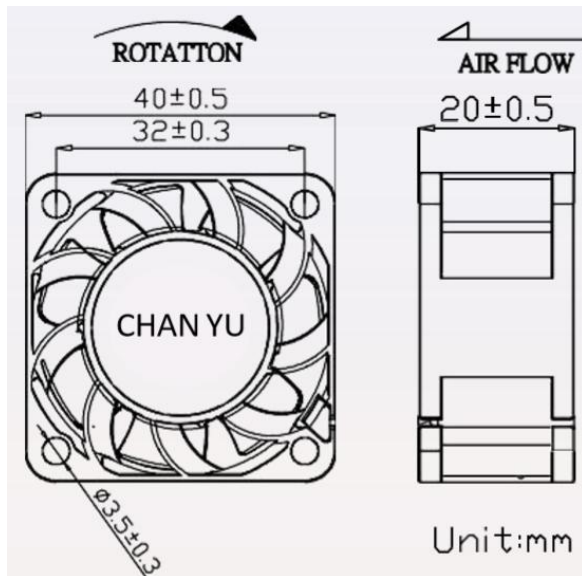
Ambient Temperature Range: -10°C ~ +70°C

Bearing: Ball

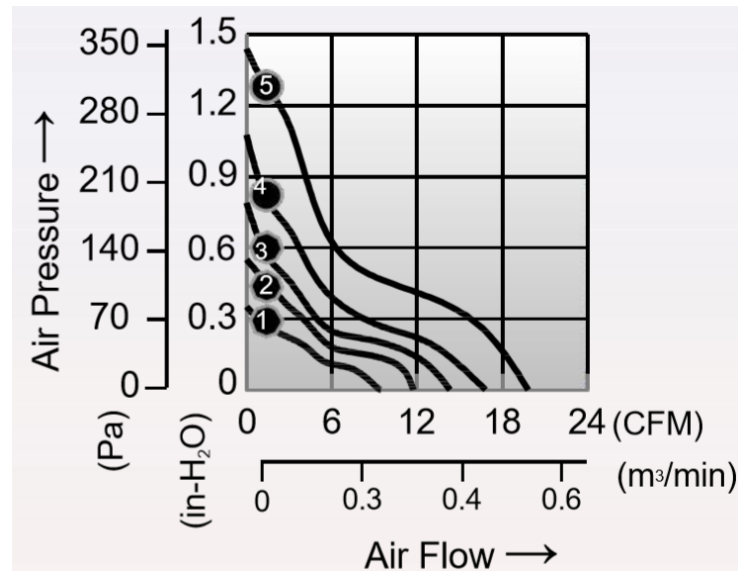
Motor Structure: DC Brushless Motor

Package: 45 g / PC

Dimension (units:mm)



Characteristic Curves



DC Axial Fan

SPECIFICATION

Model	Voltage (V)	Operating Voltage Range(VDC)	Current (A)	Speed (RPM)	Air Flow (CFM)	Pressure (in-H ₂ O)	Noise (dB)
CDB124020LB	12	7.0 – 13.2	0.08	8000	9.4	0.35	33
CDB124020MB	12	7.0 – 13.2	0.11	10000	11.7	0.55	40
CDB124020HB	12	7.0 – 13.2	0.17	12000	14.3	0.79	44
CDB124020XB	12	7.0 – 13.2	0.25	14000	16.8	1.08	49
CDB124020UB	12	7.0 – 13.2	0.41	16000	19.8	1.44	53
CDB244020HB	24	14.0 – 26.4	0.14	12000	14.3	0.79	44
CDB244020XB	24	14.0 – 26.4	0.20	14000	16.8	1.08	49
CDB244020UB	24	14.0 – 26.4	0.25	16000	19.8	1.44	53



□ 40x40x28 mm



Frame: Plastic

Impeller: Plastic Material UL94V-0

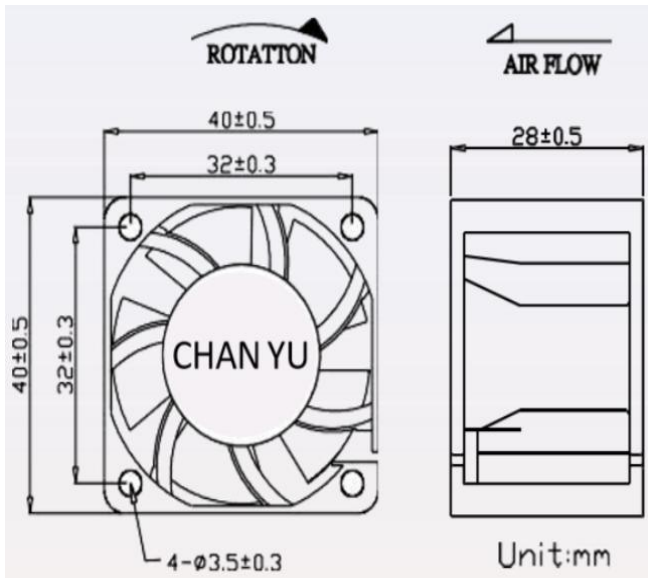
Ambient Temperature Range: -10°C ~ +70°C

Bearing: Ball

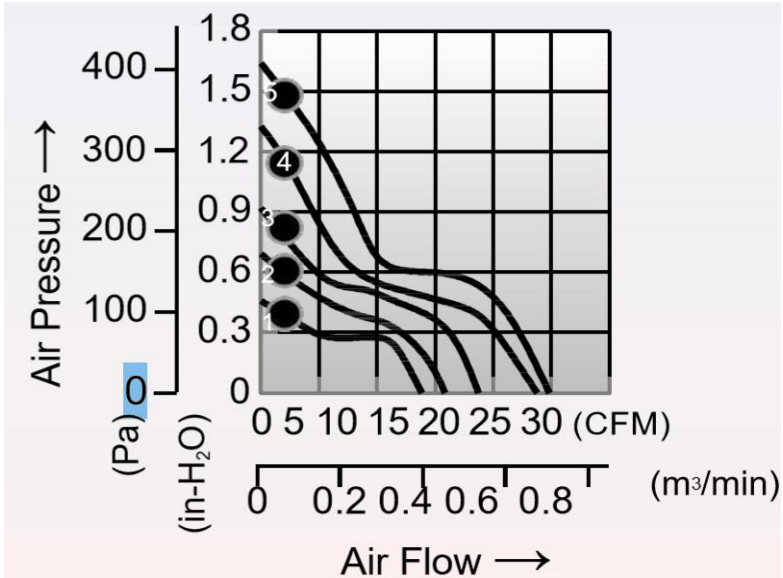
Motor Structure: DC Brushless Motor

Package: 58 g / PC

Dimension (units:mm)



Characteristic Curves



DC Axial Fan

SPECIFICATION

Model	Voltage (V)	Operating Voltage Range(VDC)	Current (A)	Speed (RPM)	Air Flow (CFM)	Pressure (in-H2O)	Noise (dB)
CDB124028LB	12	7.0 – 13.2	0.14	8000	13.8	0.46	38
CDB124028MB	12	7.0 – 13.2	0.26	9500	15.9	0.69	44
CDB124028HB	12	7.0 – 13.2	0.35	11000	18.7	0.92	51
CDB124028XB	12	7.0 – 13.2	0.55	13000	23.8	1.32	54
CDB124028UB	12	7.0 – 13.2	0.64	15000	24.8	1.64	58
CDB244028LB	24	14.0 – 26.4	0.10	8000	13.8	0.46	38
CDB244028MB	24	14.0 – 26.4	0.15	9500	15.9	0.69	44
CDB244028HB	24	14.0 – 26.4	0.20	11000	18.7	0.92	51
CDB244028XB	24	14.0 – 26.4	0.27	13000	23.8	1.32	54



□ 40x40x28 mm



Frame: Plastic

Impeller: Plastic Material UL94V-0

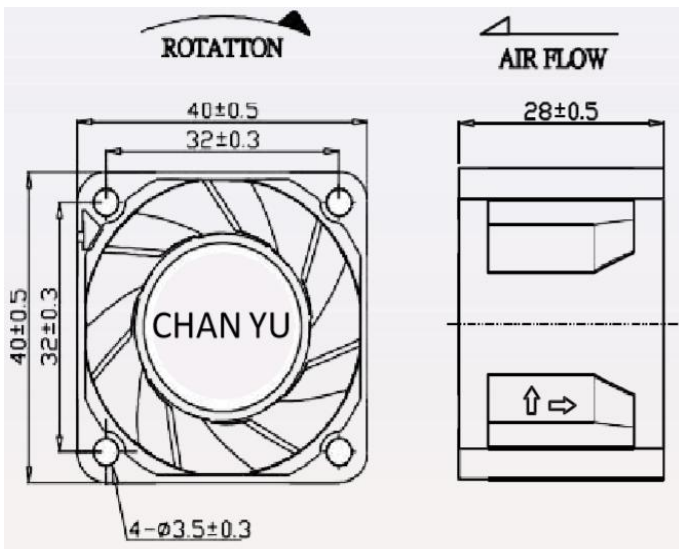
Ambient Temperature Range: -10°C ~ +70°C

Bearing: Ball

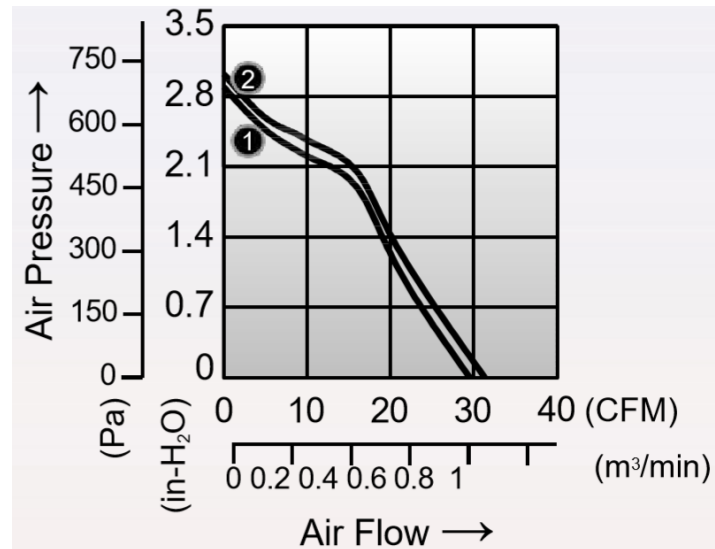
Motor Structure: DC Brushless Motor

Package: 50 g / PC

Dimension (units:mm)



Characteristic Curves



DC Axial Fan

SPECIFICATION

Model	Voltage (V)	Operating Voltage Range(VDC)	Current (A)	Speed (RPM)	Air Flow (CFM)	Pressure (in-H ₂ O)	Noise (dB)
CDD124028UB	12	7.0 – 13.2	1.10	21000	0.83	2.89	62
CDD124028WB	12	7.0 – 13.2	1.40	23000	0.89	3.02	64

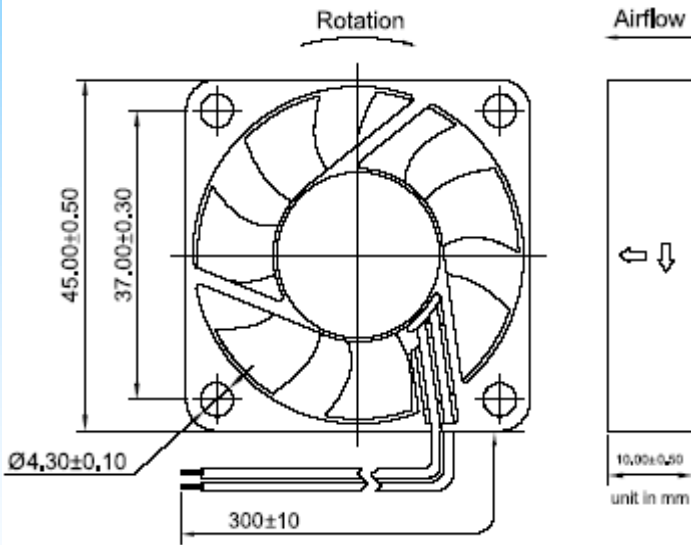


□ 45x45x10 mm

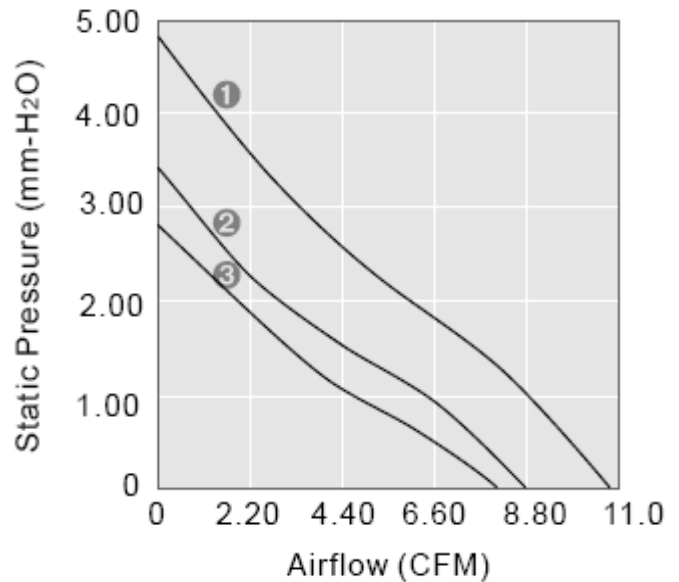


- Frame:** Plastic
- Impeller:** Plastic Material UL94V-0 P.B.T
- Ambient Temperature Range:** -10°C ~ +70°C
- Bearing:** Sleeve or Ball
- Motor Structure:** DC Brushless Motor
- Termination:** Lead wire 300± 10mm
- Package:** 17g / PC

Dimension (units:mm)



Characteristic Curves



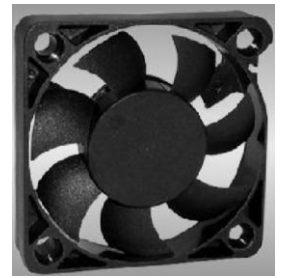
DC Axial Fan

SPECIFICATION

Model	Voltage (V)	Operating Voltage Range(VDC)	Current (A)	Power (W)	Speed (RPM)	Air Flow (CFM)	Pressure (in-H ₂ O)	Noise (dB)
CD054510LBL	5	4~5.5	0.15	0.75	5100	8.49	0.12	29
CD054510MBL	5	4~5.5	0.17	0.85	5500	8.7	0.13	31.5
CD054510HBL	5	4~5.5	0.24	1.2	6500	10.3	0.19	37
CD124510LBL	12	7~13.2	0.09	1.08	5100	8.49	0.12	29
CD124510MBL	12	7~13.2	0.12	1.44	5500	8.7	0.13	31.5
CD124510HBL	12	7~13.2	0.14	1.68	6500	10.3	0.19	37



□ 50x50x10 mm



Frame: Plastic

Impeller: Plastic Material UL94V-0

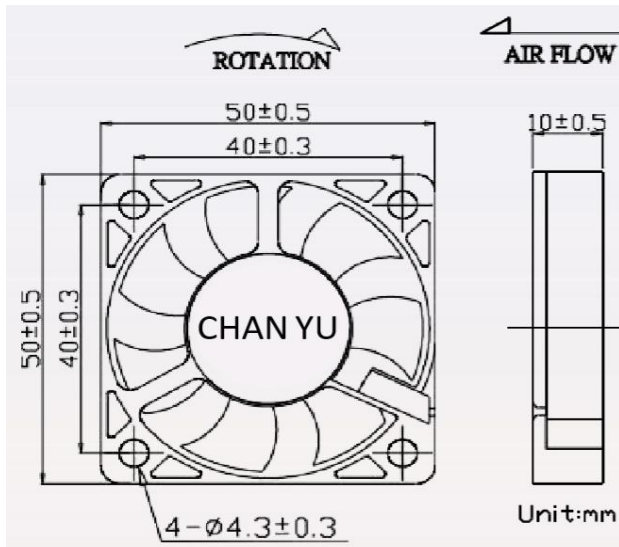
Ambient Temperature Range: -10°C ~ +70°C

Bearing: Ball, FMB

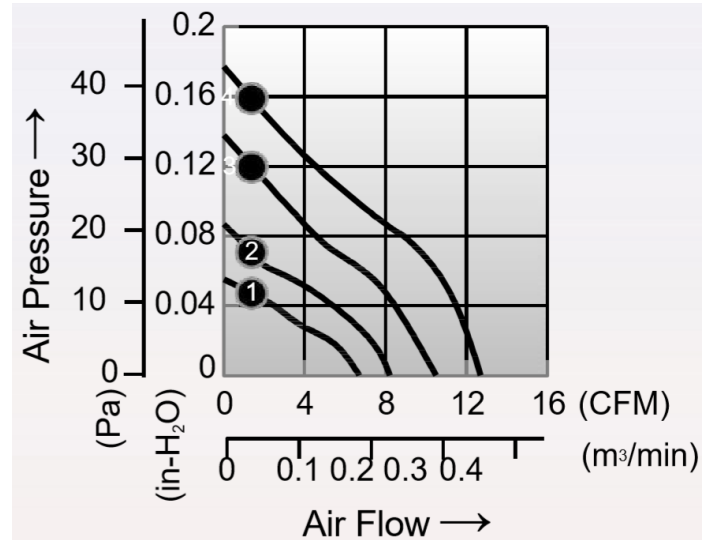
Motor Structure: DC Brushless Motor

Package: 32 g / PC

Dimension (units:mm)



Characteristic Curves



SPECIFICATION

Model	Voltage (V)	Operating Voltage Range(VDC)	Current (A)	Speed (RPM)	Air Flow (CFM)	Pressure (in-H ₂ O)	Noise (dB)
CD055010JB	5	4.5 – 5.5	0.08	3500	6.7	0.05	17
CD055010LB	5	4.5 – 5.5	0.12	4500	8.2	0.09	23
CD055010MB	5	4.5 – 5.5	0.16	5500	10.5	0.14	29
CD055010HB	5	4.5 – 5.5	0.20	6500	12.7	0.18	34
CD125010JB	12	7.0 – 13.2	0.05	3500	6.7	0.05	17
CD125010LB	12	7.0 – 13.2	0.07	4500	8.2	0.09	23
CD125010MB	12	7.0 – 13.2	0.08	5500	10.5	0.14	29
CD125010HB	12	7.0 – 13.2	0.10	6500	12.7	0.18	34
CD245010JB	24	14.0 – 26.4	0.06	3500	6.7	0.05	17
CD245010LB	24	14.0 – 26.4	0.07	4500	8.2	0.09	23
CD245010MB	24	14.0 – 26.4	0.08	5500	10.5	0.14	29
CD245010HB	24	14.0 – 26.4	0.09	6500	12.7	0.18	34



□ 50x50x15 mm



Frame: Plastic

Impeller: Plastic Material UL94V-0

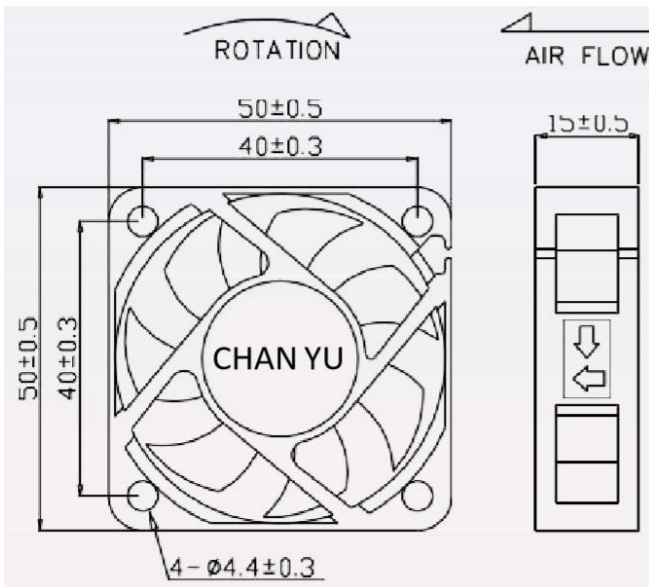
Ambient Temperature Range: -10°C ~ +70°C

Bearing: Ball, FMB

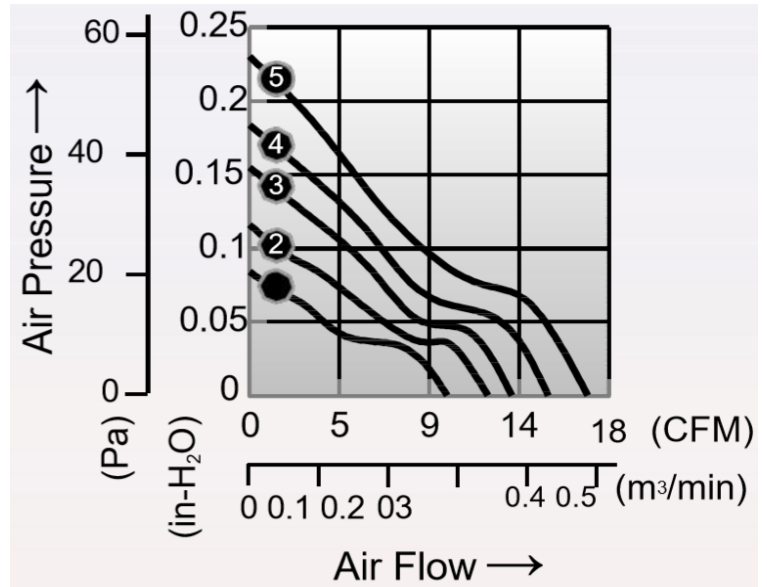
Motor Structure: DC Brushless Motor

Package: 38 g / PC

Dimension (units:mm)



Characteristic Curves



SPECIFICATION

Model	Voltage (V)	Operating Voltage Range(VDC)	Current (A)	Speed (RPM)	Air Flow (CFM)	Pressure (in-H ₂ O)	Noise (dB)
CDC125015JB	12	7.0 – 13.2	0.06	3600	9.91	0.08	24
CDC125015LB	12	7.0 – 13.2	0.07	4200	12.2	0.12	27
CDC125015MB	12	7.0 – 13.2	0.09	4800	13.2	0.16	30
CDC125015HB	12	7.0 – 13.2	0.11	5400	15.0	0.18	32
CDC125015XB	12	7.0 – 13.2	0.13	6000	17.0	0.23	36
CDC245015JB	24	14.0 – 26.4	0.04	3600	9.91	0.08	24
CDC245015LB	24	14.0 – 26.4	0.05	4200	12.2	0.12	27
CDC245015MB	24	14.0 – 26.4	0.06	4800	13.2	0.16	30
CDC245015HB	24	14.0 – 26.4	0.07	5400	15.0	0.18	32
CDC245015XB	24	14.0 – 26.4	0.08	6000	17.0	0.23	36



□ 50x50x20 mm



Frame: Plastic

Impeller: Plastic Material UL94V-0

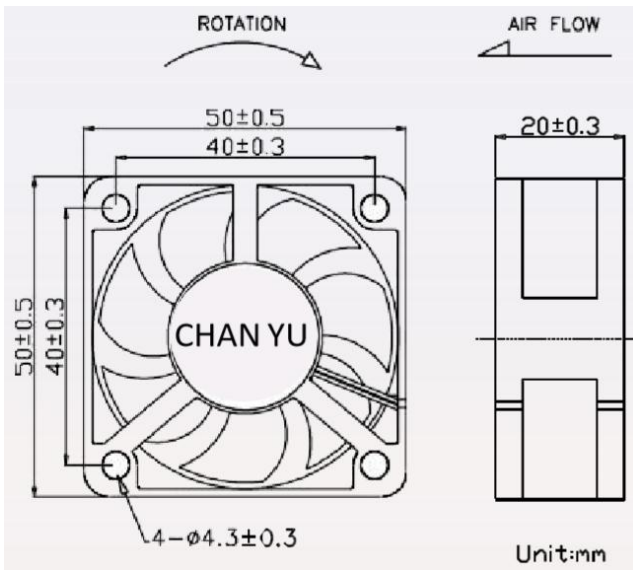
Ambient Temperature Range: -10°C ~ +70°C

Bearing: Ball, FMB

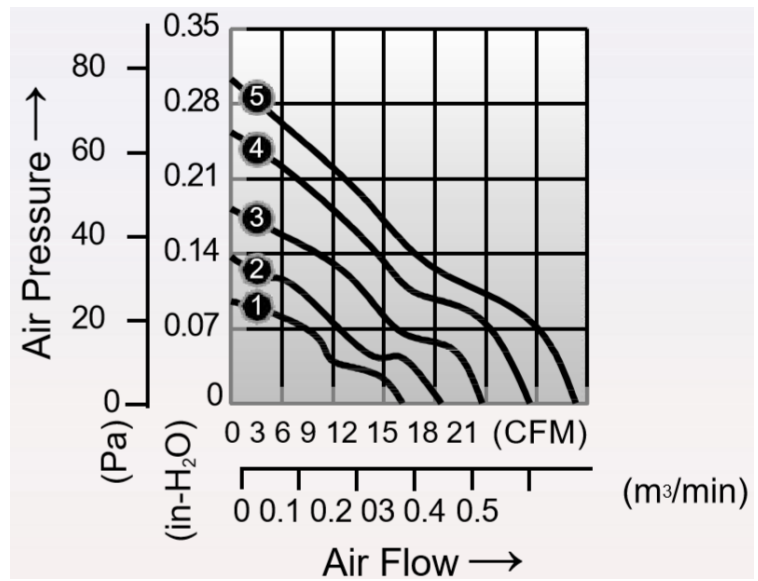
Motor Structure: DC Brushless Motor

Package: 40 g / PC

Dimension (units:mm)



Characteristic Curves



SPECIFICATION

Model	Voltage (V)	Operating Voltage Range(VDC)	Current (A)	Speed (RPM)	Air Flow (CFM)	Pressure (in-H ₂ O)	Noise (dB)
CD125020IB	12	7.0 – 13.2	0.10	4000	10.1	0.10	24
CD125020JB	12	7.0 – 13.2	0.13	4800	12.7	0.14	28
CD125020LB	12	7.0 – 13.2	0.15	5600	14.8	0.18	32
CD125020MB	12	7.0 – 13.2	0.21	6400	17.6	0.25	36
CD125020HB	12	7.0 – 13.2	0.21	7000	20.3	0.30	38
CD245020IB	24	14.0 – 26.4	0.07	4000	10.0	0.10	24
CD245020JB	24	14.0 – 26.4	0.08	4800	12.7	0.14	28
CD245020LB	24	14.0 – 26.4	0.10	5600	14.8	0.18	32
CD245020MB	24	14.0 – 26.4	0.12	6400	17.6	0.25	36
CD245020HB	24	14.0 – 26.4	0.12	7000	20.3	0.30	38



□ 60x60x10 mm



Frame: Plastic

Impeller: Plastic Material UL94V-0

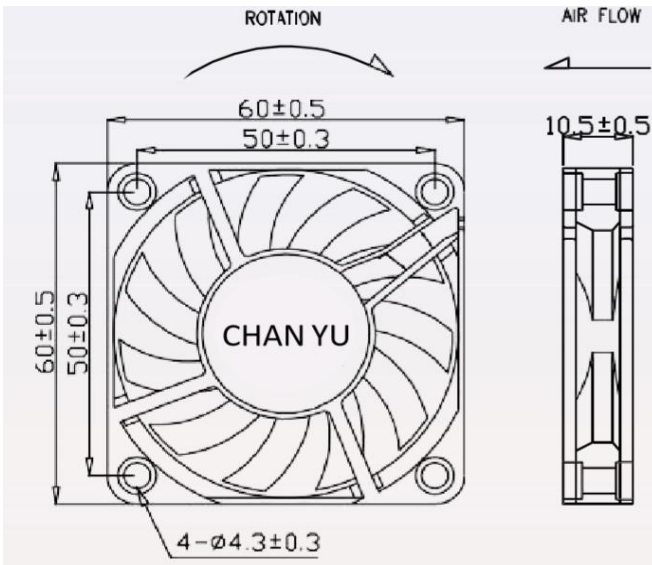
Ambient Temperature Range: -10°C ~ +70°C

Bearing: Ball, FMB

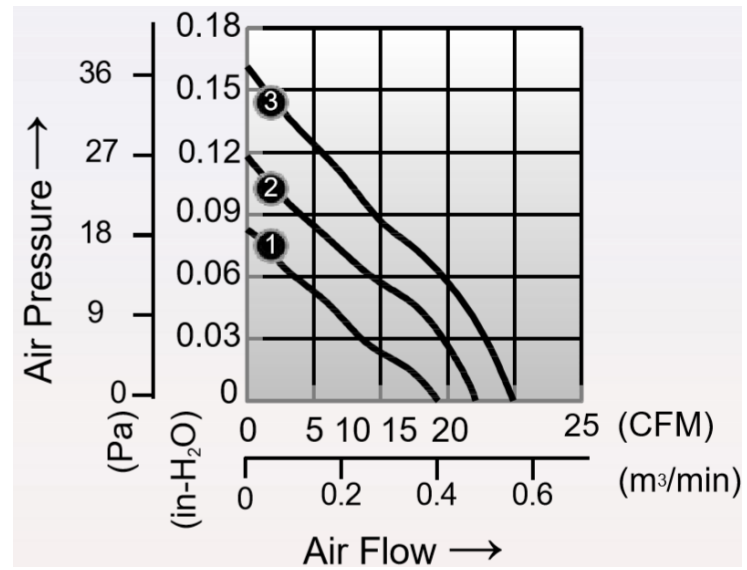
Motor Structure: DC Brushless Motor

Package: 37 g / PC

Dimension (units:mm)



Characteristic Curves



DC Axial Fan

SPECIFICATION

Model	Voltage (V)	Operating Voltage Range(VDC)	Current (A)	Speed (RPM)	Air Flow (CFM)	Pressure (in-H ₂ O)	Noise (dB)
CD056010LB	5	4.5 – 5.5	0.30	3500	14.3	0.08	28
CD056010MB	5	4.5 – 5.5	0.38	4200	17.1	0.12	33
CD056010HB	5	4.5 – 5.5	0.42	4900	19.9	0.16	37
CD126010LB	12	7.0 – 13.2	0.14	3500	14.3	0.08	28
CD126010MB	12	7.0 – 13.2	0.17	4200	17.1	0.12	33
CD126010HB	12	7.0 – 13.2	0.20	4900	19.9	0.16	37
CD246010LB	24	14.0 – 26.4	0.05	3500	14.3	0.08	28
CD246010MB	24	14.0 – 26.4	0.08	4200	17.1	0.12	33
CD246010HB	24	14.0 – 26.4	0.10	4900	19.9	0.16	37



□ 60x60x10 mm



Frame: Plastic

Impeller: Plastic Material UL94V-0 P.B.T

Ambient Temperature Range: -10°C ~ +70°C

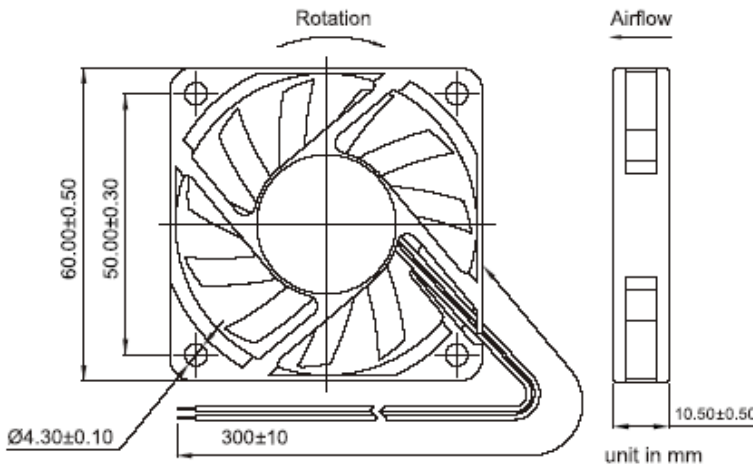
Bearing: Sleeve or Ball

Motor Structure: DC Brushless Motor

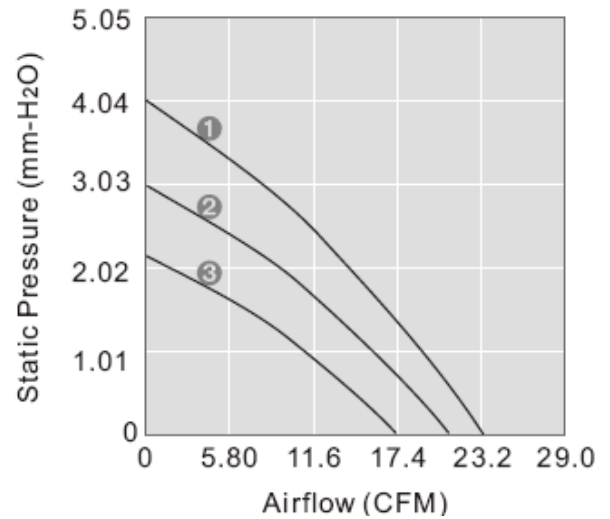
Termination: Lead wire 300± 10mm

Package: 26g / PC

Dimension (units:mm)



Characteristic Curves



DC Axial Fan

SPECIFICATION

Model	Voltage (V)	Operating Voltage Range(VDC)	Current (A)	Power (W)	Speed (RPM)	Air Flow (CFM)	Pressure (in-H ₂ O)	Noise (dB)
CD056010LBL	5	4~5.5	0.26	1.3	3800	17.3	0.08	33
CD126010LBL	12	7~13.2	0.14	1.68	3800	17.3	0.08	33
CD126010MBL	12	7~13.2	0.17	2.04	4500	21	0.12	38
CD126010HBL	12	7~13.2	0.24	2.88	5200	23.3	0.16	41



□ 60x60x15 mm



Frame: Plastic

Impeller: Plastic Material UL94V-0

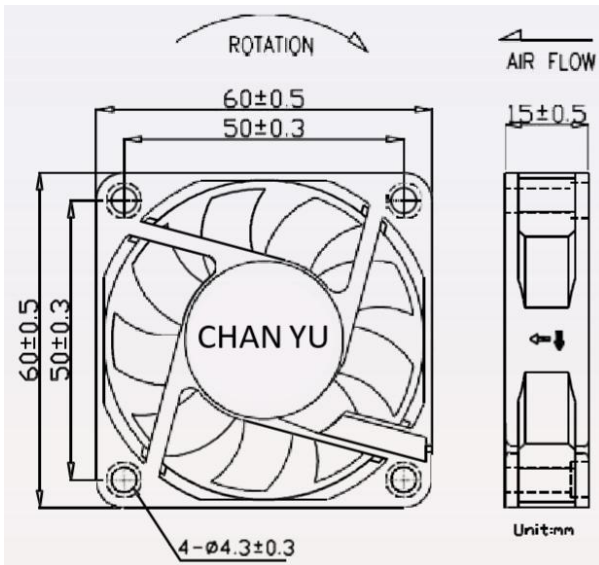
Ambient Temperature Range: -10°C ~ +70°C

Bearing: Ball, FMB

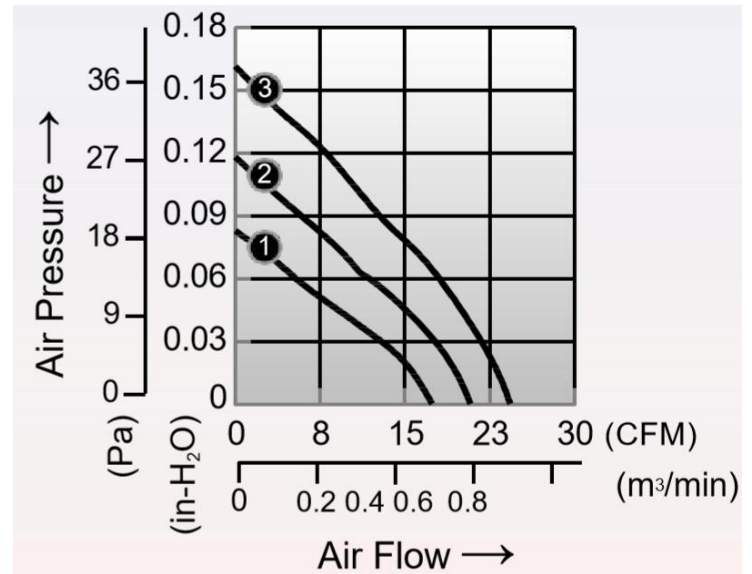
Motor Structure: DC Brushless Motor

Package: 44 g / PC

Dimension (units:mm)



Characteristic Curves



DC Axial Fan

SPECIFICATION

Model	Voltage (V)	Operating Voltage Range(VDC)	Current (A)	Speed (RPM)	Air Flow (CFM)	Pressure (in-H2O)	Noise (dB)
CD126015JB	12	7.0 – 13.2	0.06	3000	15.0	0.09	24
CD126015LB	12	7.0 – 13.2	0.08	3500	19.0	0.14	29
CD126015MB	12	7.0 – 13.2	0.10	4000	21.7	0.16	32
CD126015HB	12	7.0 – 13.2	0.12	4500	23.1	0.18	35
CD126015XB	12	7.0 – 13.2	0.17	5000	26.5	0.23	37
CD246015LB	24	14.0 – 26.4	0.08	3500	19.0	0.14	29
CD246015MB	24	14.0 – 26.4	0.07	4000	21.7	0.16	32
CD246015HB	24	14.0 – 26.4	0.08	4500	23.1	0.18	35
CD246015XB	24	14.0 – 26.4	0.11	5000	26.5	0.23	37



□ 60x60x20 mm



Frame: Plastic

Impeller: Plastic Material UL94V-0

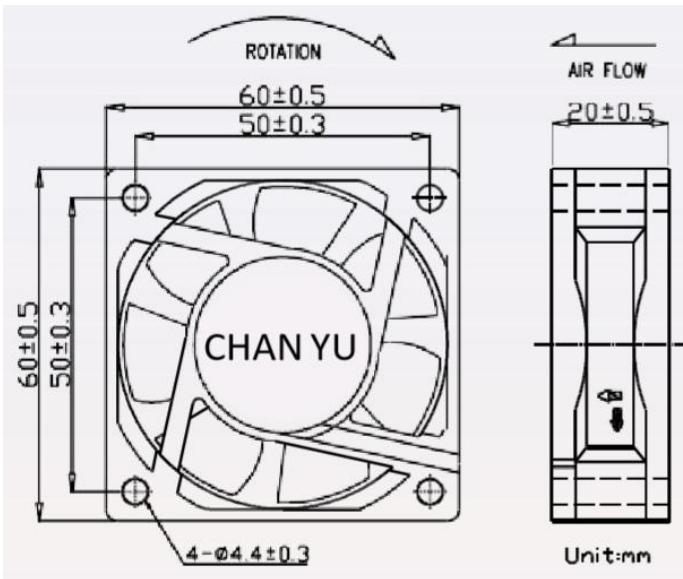
Ambient Temperature Range: -10°C ~ +70°C

Bearing: Ball, FMB

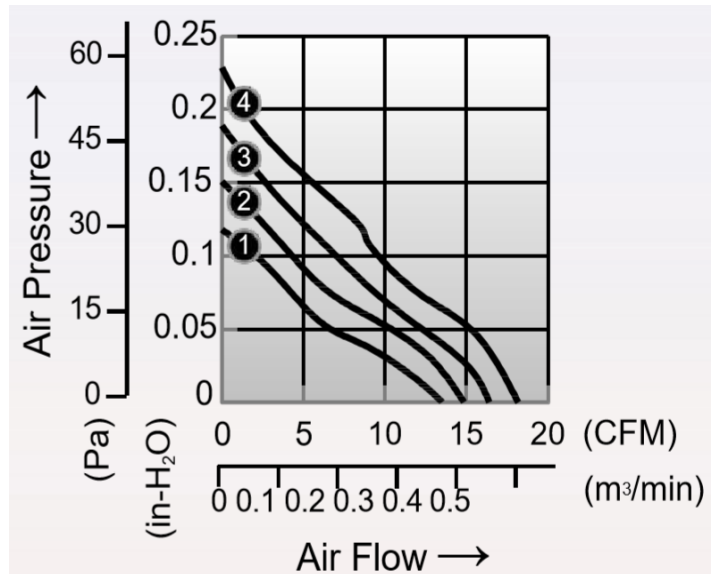
Motor Structure: DC Brushless Motor

Package: 50 g / PC

Dimension (units:mm)



Characteristic Curves



SPECIFICATION

Model	Voltage (V)	Operating Voltage Range(VDC)	Current (A)	Speed (RPM)	Air Flow (CFM)	Pressure (in-H ₂ O)	Noise (dB)
CD126020JB	12	7.0 – 13.2	0.07	3200	13.5	0.12	24
CD126020LB	12	7.0 – 13.2	0.09	3600	14.8	0.15	26
CD126020MB	12	7.0 – 13.2	0.11	4000	16.4	0.19	29
CD126020HB	12	7.0 – 13.2	0.13	4400	18.1	0.23	31
CD126020XB	12	7.0 – 13.2	0.17	4800	19.6	0.27	33



□ 60x60x20 mm



Frame: Plastic

Impeller: Plastic Material UL94V-0 P.B.T

Ambient Temperature Range: -10°C ~ +70°C

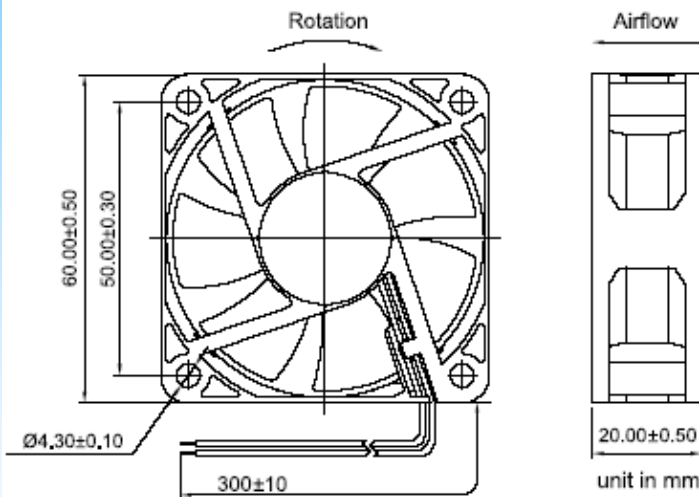
Bearing: Sleeve or Ball

Motor Structure: DC Brushless Motor

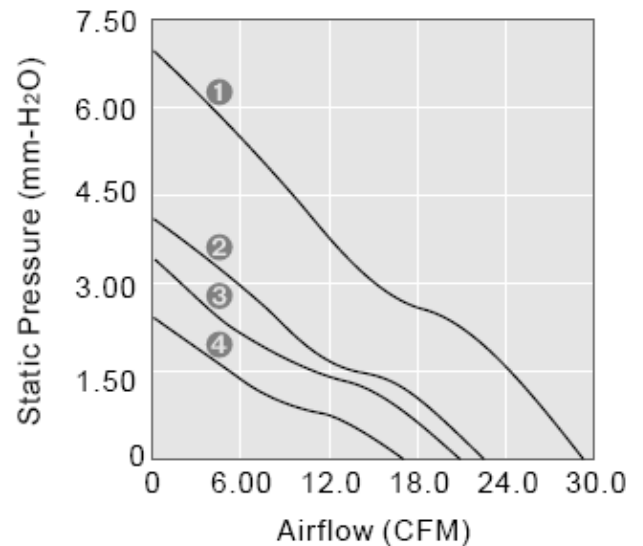
Termination: Lead wire 300± 10mm

Package: 44g / PC

Dimension (units:mm)



Characteristic Curves



DC Axial Fan

SPECIFICATION

Model	Voltage (V)	Operating Voltage Range(VDC)	Current (A)	Power (W)	Speed (RPM)	Air Flow (CFM)	Pressure (in-H2O)	Noise (dB)
CD126020LBL	12	7~13.2	0.08	0.96	3000	17.0	0.09	26
CD126020MBL	12	7~13.2	0.11	1.32	3600	20	0.13	30
CD126020HBL	12	7~13.2	0.16	1.92	4200	22.9	0.17	35
CD126020XBL	12	7~13.2	0.28	3.36	5300	29.1	0.28	41
CD246020LBL	24	12~26.4	0.04	0.96	3000	17.0	0.09	26
CD246020MBL	24	12~26.4	0.07	1.68	3600	20	0.13	30
CD246020HBL	24	12~26.4	0.08	1.92	4200	22.9	0.17	35



□ 60x60x25 mm



Frame: Plastic

Impeller: Plastic Material UL94V-0

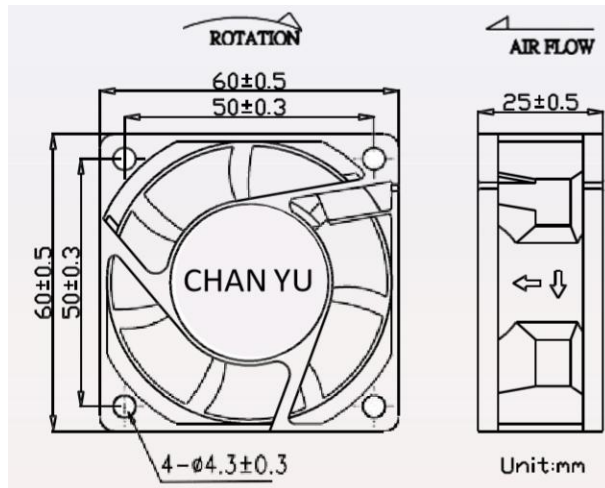
Ambient Temperature Range: -10°C ~ +70°C

Bearing: Ball, FMB. Sleeve

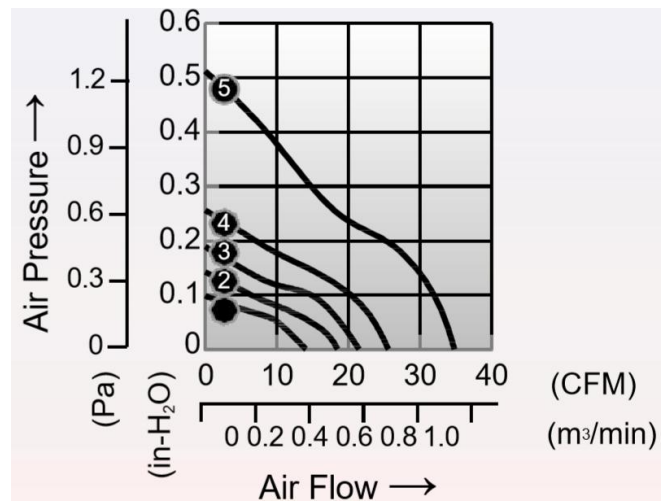
Motor Structure: DC Brushless Motor

Package: 60 g / PC

Dimension (units:mm)



Characteristic Curves



SPECIFICATION

Model	Voltage (V)	Operating Voltage Range(VDC)	Current (A)	Speed (RPM)	Air Flow (CFM)	Pressure (in-H ₂ O)	Noise (dB)
CD126025JB	12	7.0 – 13.2	0.10	3100	14.1	0.10	26
CD126025LB	12	7.0 – 13.2	0.12	3600	18.5	0.14	31
CD126025MB	12	7.0 – 13.2	0.16	4250	21.5	0.19	34
CD126025HB	12	7.0 – 13.2	0.35	5000	25.6	0.26	40
CD126025XB	12	7.0 – 13.2	0.40	6800	34.8	0.51	47
CD246025JB	24	14.0 – 26.4	0.06	3100	14.1	0.10	26
CD246025LB	24	14.0 – 26.4	0.08	3600	18.5	0.14	31
CD246025MB	24	14.0 – 26.4	0.11	4250	21.5	0.19	34
CD246025HB	24	14.0 – 26.4	0.20	5000	25.6	0.26	40
CD246025XB	24	14.0 – 26.4	0.25	6800	34.8	0.51	47
CD486025MB	48	28.0 – 56.0	0.07	4250	21.5	0.19	34
CD486025HB	48	28.0 – 56.0	0.12	5000	25.6	0.26	40



□ 60x60x25 mm



Frame: Plastic

Impeller: Plastic Material UL94V-0 P.B.T

Ambient Temperature Range: -10°C ~ +70°C

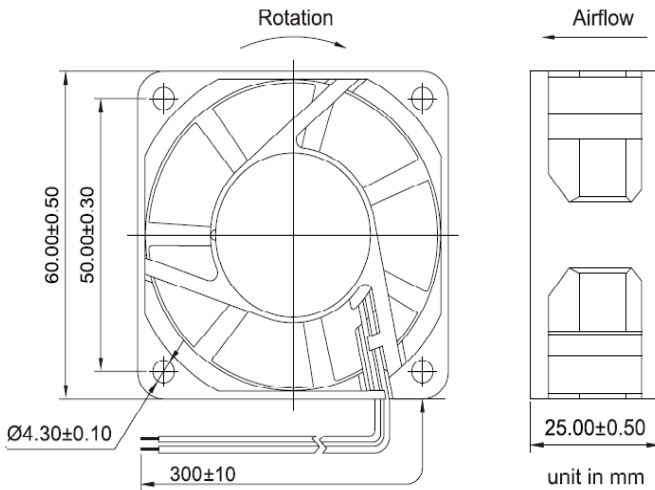
Bearing: Sleeve or Ball

Motor Structure: DC Brushless Motor

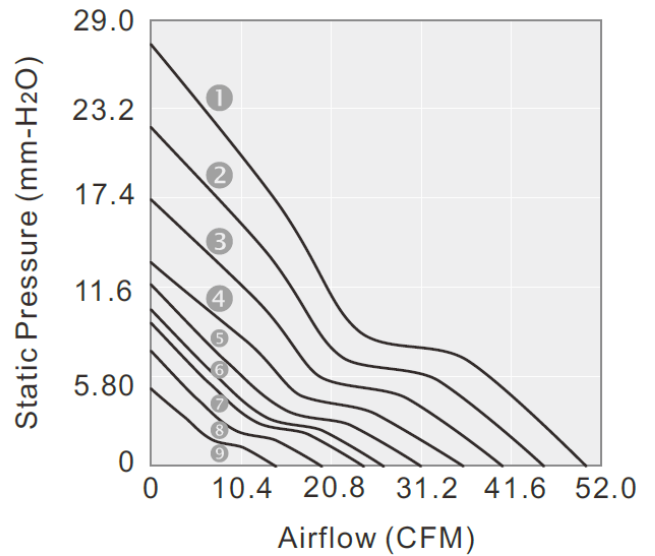
Termination: Lead wire 300± 10mm

Package: 56g / PC

Dimension (units:mm)



Characteristic Curves



DC Axial Fan

SPECIFICATION

Model	Voltage (V)	Operating Voltage Range(VDC)	Current (A)	Power (W)	Speed (RPM)	Air Flow (CFM)	Pressure (in-H2O)	Noise (dB)
CD126025XBL	12	7~13.2	0.42	5.04	8500	40.6	0.69	47
CD126025UBL	12	7~13.2	0.63	7.56	9500	45.4	0.87	49.5
CD126025WBL	12	7~13.2	0.9	10.8	10500	50.2	1.09	51.5
CD246025HBL	24	12~26.4	0.075	1.8	5100	24.5	0.37	36
CD246025XBL	24	12~26.4	0.11	2.64	6500	31.2	0.46	41
CD246025UBL	24	12~26.4	0.41	9.84	10500	50.2	1.09	51.5
CD486025HBL	48	24~56	0.055	2.64	5100	24.5	0.37	36
CD486025XBL	48	24~56	0.08	3.84	6800	32.7	0.49	42
CD486025UBL	48	24~56	0.24	11.52	10500	50.2	1.09	51.5



□ 60x60x38 mm



Frame: Plastic

Impeller: Plastic Material UL94V-0

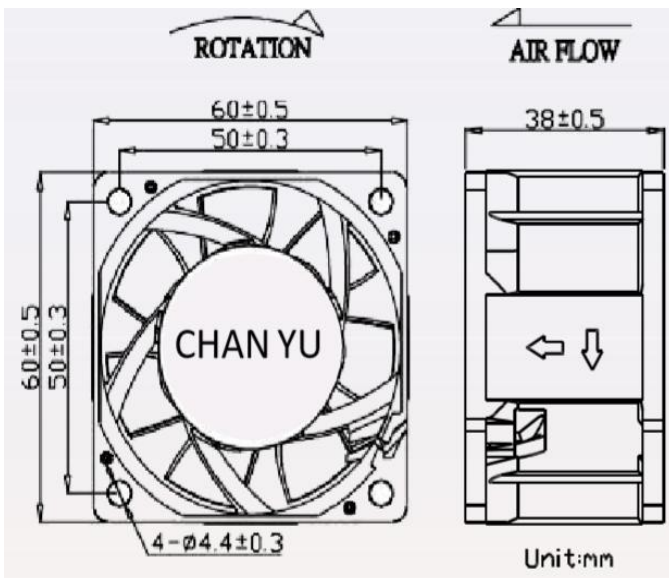
Ambient Temperature Range: -10°C ~ +70°C

Bearing: Ball,

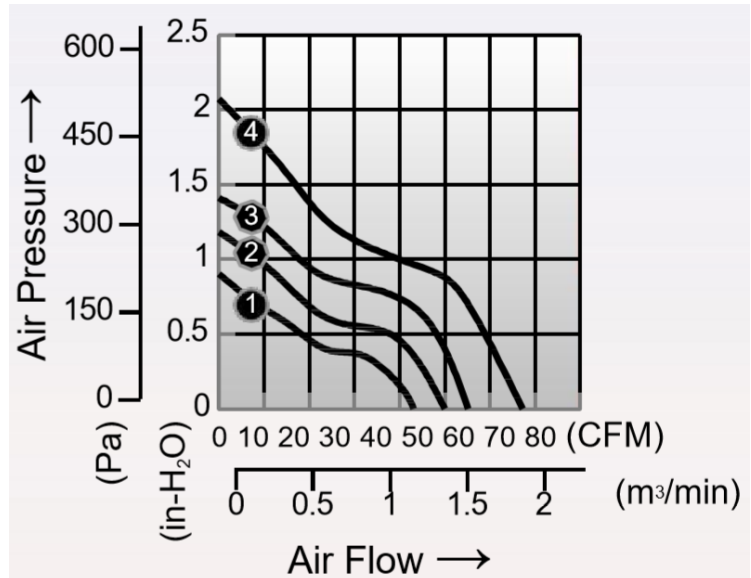
Motor Structure: DC Brushless Motor

Package: 145 g / PC

Dimension (units:mm)



Characteristic Curves



DC Axial Fan

SPECIFICATION

Model	Voltage (V)	Operating Voltage Range(VDC)	Current (A)	Speed (RPM)	Air Flow (CFM)	Pressure (in-H ₂ O)	Noise (dB)
CD126038IB	12	7.0 – 13.2	0.52	8000	43.1	0.90	51
CD126038JB	12	7.0 – 13.2	0.68	9000	50.8	1.19	54
CD126038LB	12	7.0 – 13.2	1.00	10000	55.2	1.41	57
CD126038MB	12	7.0 – 13.2	1.38	12000	67.3	2.07	62
CD246038LB	24	14.0 – 26.4	0.22	8000	43.1	0.90	51
CD246038MB	24	14.0 – 26.4	0.40	9000	50.8	1.19	54
CD246038HB	24	14.0 – 26.4	0.53	10000	55.2	1.41	57
CD246038XB	24	14.0 – 26.4	0.75	12000	67.3	2.07	62



□ 60x60x56 mm



Frame: Plastic

Impeller: Plastic Material UL94V-0

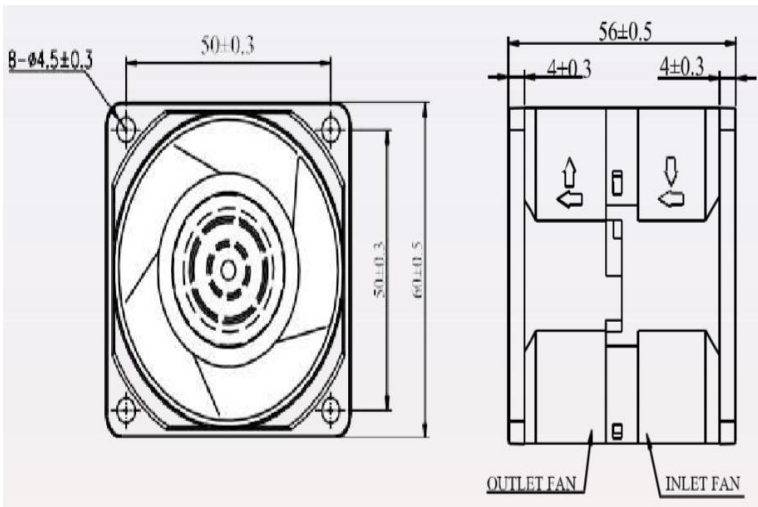
Ambient Temperature Range: -10°C ~ +70°C

Bearing: Ball,

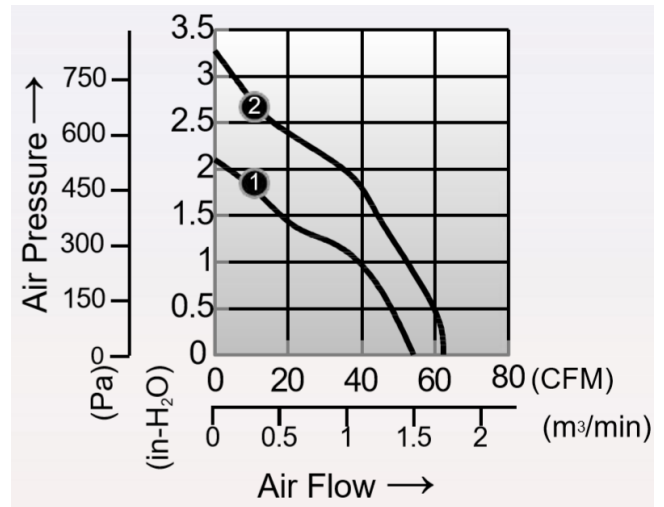
Motor Structure: DC Brushless Motor

Package: 180 g / PC

Dimension (units:mm)



Characteristic Curves



DC Axial Fan

SPECIFICATION

Model	Voltage (V)	Operating Voltage Range(VDC)	Current (A)	Speed (RPM)	Air Flow (CFM)	Pressure (in-H ₂ O)	Noise (dB)
CD126056HB	12	7.0 – 13.2	1.00	14500	45.76	2.63	63
CD126056XB	12	7.0 – 13.2	1.45	17000	53.82	3.89	69



□ 70x70x10 mm



Frame: Plastic

Impeller: Plastic Material UL94V-0 P.B.T

Ambient Temperature Range: -10°C ~ +70°C

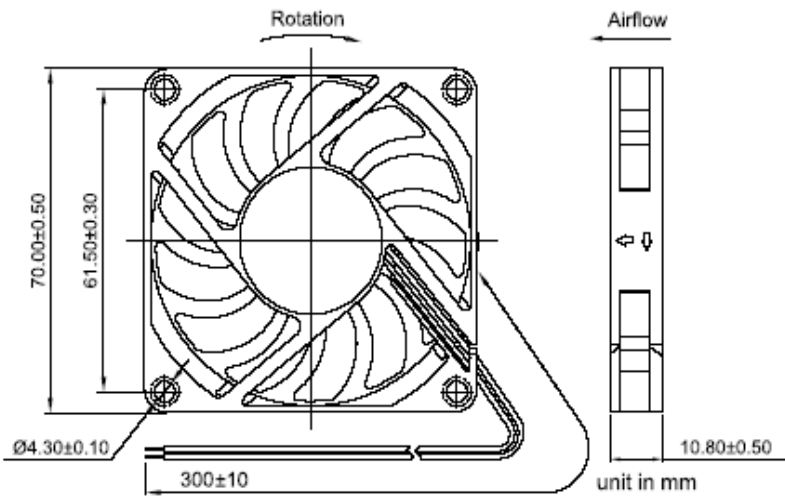
Bearing: Sleeve or Ball

Motor Structure: DC Brushless Motor

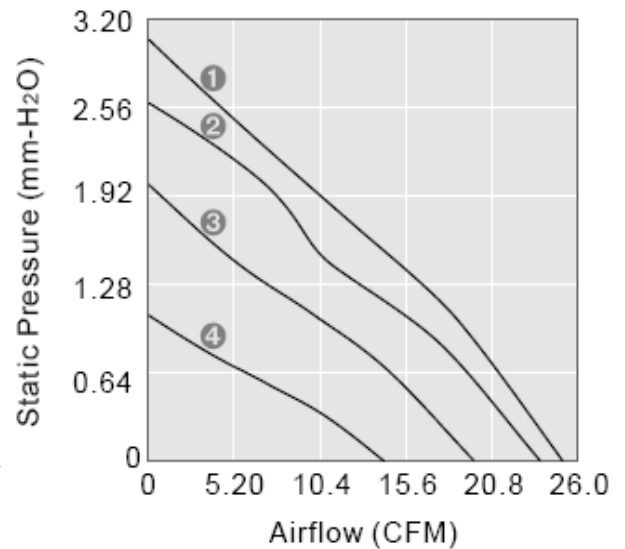
Termination: Lead wire 300± 10mm

Package: 35g / PC

Dimension (units:mm)



Characteristic Curves



DC Axial Fan

SPECIFICATION

Model	Voltage (V)	Operating Voltage Range(VDC)	Current (A)	Power (W)	Speed (RPM)	Air Flow (CFM)	Pressure (in-H ₂ O)	Noise (dB)
CD057010LBL	5	4~5.5	0.16	0.80	2300	14.9	0.09	20.5
CD057010MBL	5	4~5.5	0.20	1.00	2700	17.5	0.11	24
CD057010HBL	5	4~5.5	0.27	1.35	3100	20.1	0.12	27
CD127010LBL	12	7~13.2	0.13	1.56	3700	23.9	0.15	31
CD127010MBL	12	7~13.2	0.17	2.04	4300	27.8	0.17	34.5
CD127010HBL	12	7~13.2	0.24	2.88	4800	31	0.19	37



□ 70x70x15 mm



Frame: Plastic

Impeller: Plastic Material UL94V-0

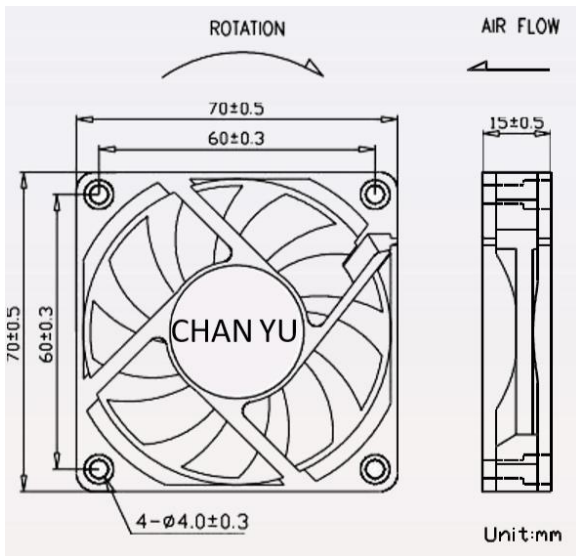
Ambient Temperature Range: -10°C ~ +70°C

Bearing: Ball,

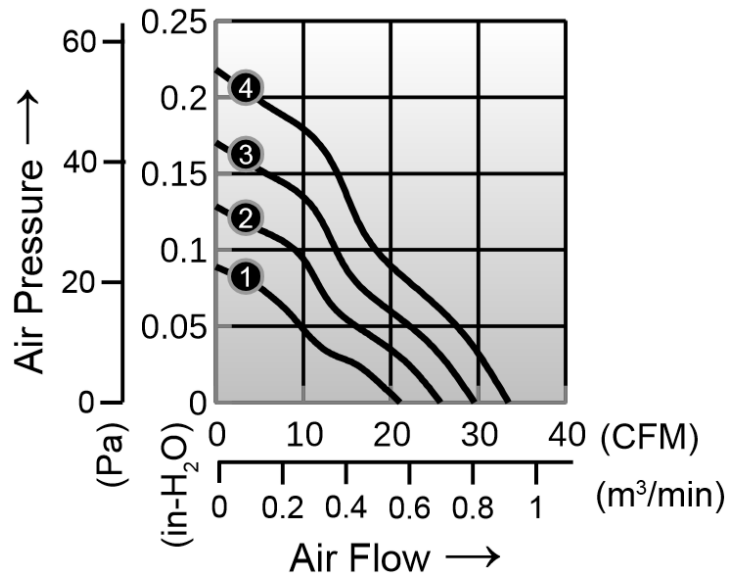
Motor Structure: DC Brushless Motor

Package: 74 g / PC

Dimension (units:mm)



Characteristic Curves



DC Axial Fan

SPECIFICATION

Model	Voltage (V)	Operating Voltage Range(VDC)	Current (A)	Speed (RPM)	Air Flow (CFM)	Pressure (in-H ₂ O)	Noise (dB)
CD127015JB	12	7.0 – 13.2	0.10	2800	21.1	0.09	27
CD127015LB	12	7.0 – 13.2	0.12	3300	25.7	0.13	31
CD127015MB	12	7.0 – 13.2	0.17	3800	29.6	0.17	35
CD127015HB	12	7.0 – 13.2	0.25	4300	33.5	0.22	39
CD247015MB	24	14.0 – 26.4	0.10	3800	29.6	0.17	35
CD247015HB	24	14.0 – 26.4	0.12	4300	33.5	0.22	39



□ 70x70x25 mm



Frame: Plastic

Impeller: Plastic Material UL94V-0

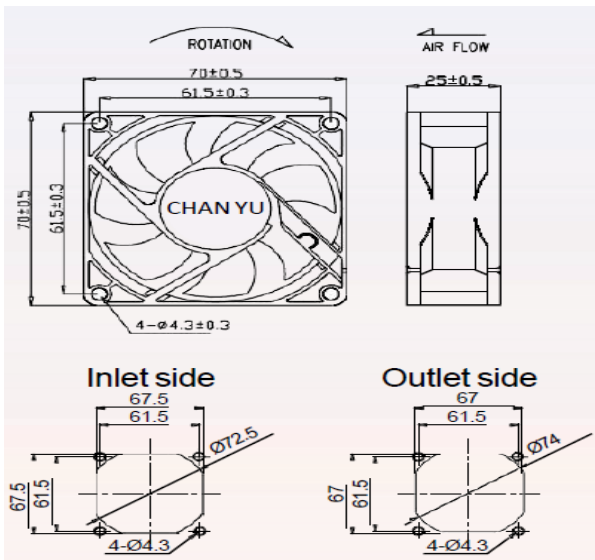
Ambient Temperature Range: -10°C ~ +70°C

Bearing: Ball, Sleeve bearing

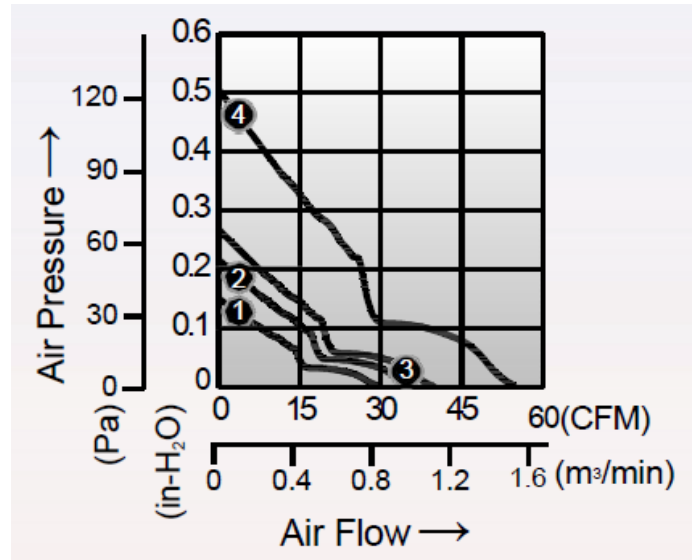
Motor Structure: DC Brushless Motor

Package: 74 g / PC

Dimension (units:mm)



Characteristic Curves



SPECIFICATION

Model	Voltage (V)	Operating Voltage Range(VDC)	Current (A)	Speed (RPM)	Air Flow (CFM)	Pressure (in-H ₂ O)	Noise (dB)
CD127025LB	12	7.0 – 13.2	0.07	3000	30.0	0.15	27
CD127025MB	12	7.0 – 13.2	0.09	3600	35.6	0.22	32
CD127025HB	12	7.0 – 13.2	0.13	4000	39.9	0.27	37
CD127025UB	12	7.0 – 13.2	0.16	5500	54.8	0.50	45
CD247025LB	24	14.0 – 26.4	0.05	3000	30.0	0.15	27
CD247025MB	24	14.0 – 26.4	0.06	3600	35.6	0.22	32
CD247025HB	24	14.0 – 26.4	0.08	4000	39.9	0.27	37
CD247025XB	24	14.0 – 26.4	0.35	5500	54.8	0.50	45
CD487025LB	48	28.0 – 56.0	0.04	3000	30.0	0.15	27
CD487025MB	48	28.0 – 56.0	0.05	3600	35.6	0.22	32
CD487025HB	48	28.0 – 56.0	0.07	4000	39.9	0.27	37



□ 80x80x15 mm



Frame: Plastic

Impeller: Plastic Material UL94V-0

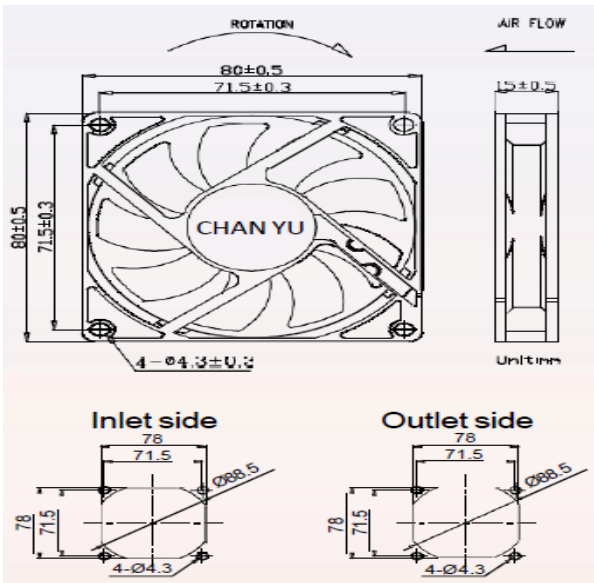
Ambient Temperature Range: -10°C ~ +70°C

Bearing: Ball, Sleeve bearing

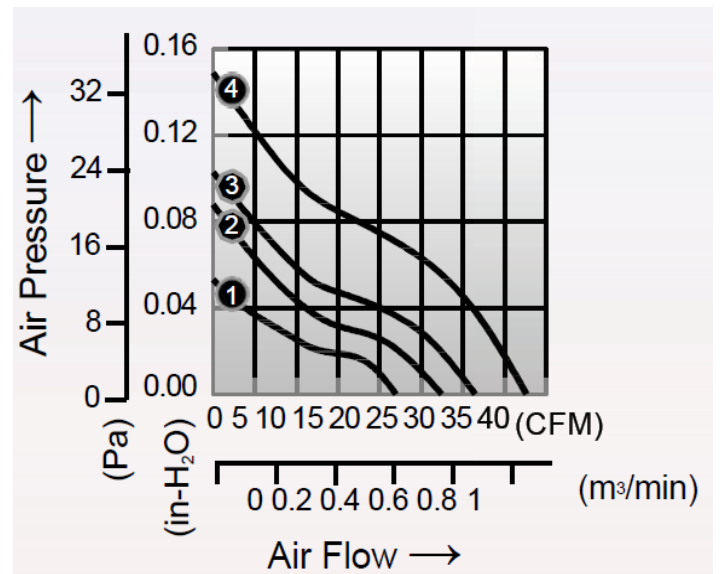
Motor Structure: DC Brushless Motor

Package: 54 g / PC

Dimension (units:mm)



Characteristic Curves



DC AXIAL FAN

SPECIFICATION

Model	Voltage (V)	Operating Voltage Range(VDC)	Current (A)	Speed (RPM)	Air Flow (CFM)	Pressure (in-H ₂ O)	Noise (dB)
CD128015JB	12	7.0 – 13.2	0.06	2400	22.0	0.05	25
CD128015LB	12	7.0 – 13.2	0.10	2700	27.5	0.09	30
CD128015MB	12	7.0 – 13.2	0.12	3100	31.5	0.10	32
CD128015HB	12	7.0 – 13.2	0.16	3600	37.6	0.15	36
CD128015XB	12	7.0 – 13.2	0.30	4500	45.2	0.21	43
CD248015JB	24	14.0 – 26.4	0.04	2400	22.0	0.05	25
CD248015LB	24	14.0 – 26.4	0.06	2700	27.5	0.09	30
CD248015MB	24	14.0 – 26.4	0.08	3100	31.5	0.10	32
CD248015HB	24	14.0 – 26.4	0.10	3600	37.6	0.15	36



□ 80x80x20 mm



Frame: Plastic

Impeller: Plastic Material UL94V-0

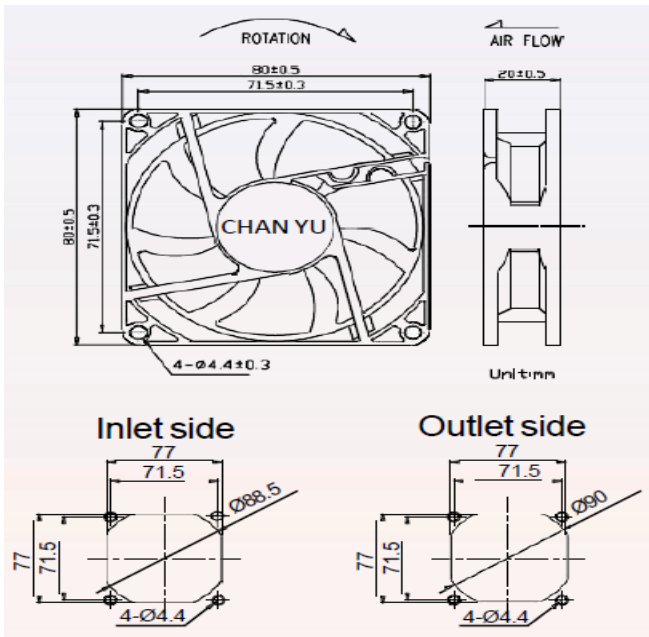
Ambient Temperature Range: -10°C ~ +70°C

Bearing: Ball, Sleeve bearing

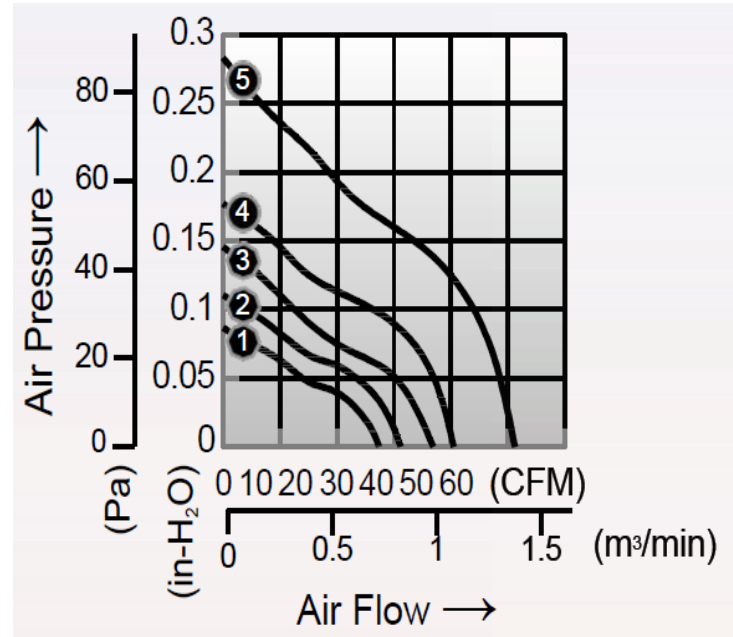
Motor Structure: DC Brushless Motor

Package: 76 g / PC

Dimension (units:mm)



Characteristic Curves



DC Axial Fan

SPECIFICATION

Model	Voltage (V)	Operating Voltage Range(VDC)	Current (A)	Speed (RPM)	Air Flow (CFM)	Pressure (in-H ₂ O)	Noise (dB)
CD128020JB	12	7.0 – 13.2	0.13	2400	27.4	0.09	25
CD128020LB	12	7.0 – 13.2	0.16	2700	31.2	0.11	29
CD128020MB	12	7.0 – 13.2	0.18	3100	36.9	0.15	34
CD128020HB	12	7.0 – 13.2	0.24	3400	40.5	0.18	36
CD128020UB	12	7.0 – 13.2	0.30	4300	51.2	0.28	43
CD248020JB	24	14.0 – 26.4	0.07	2400	27.4	0.09	25
CD248020MB	24	14.0 – 26.4	0.12	3100	36.9	0.15	34
CD248020XB	24	14.0 – 26.4	0.20	4300	51.2	0.28	43



□ 80x80x25 mm

Frame: Plastic

Impeller: Plastic Material UL94V-0

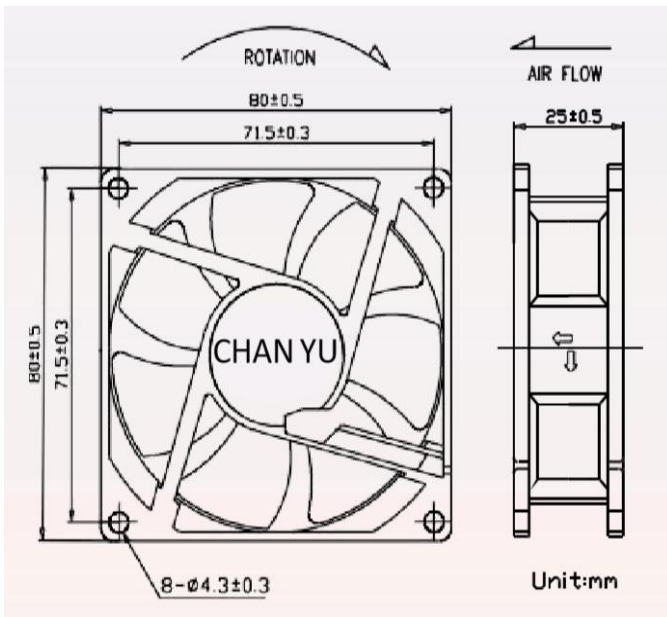
Ambient Temperature Range: -10°C ~ +70°C

Bearing: Ball,

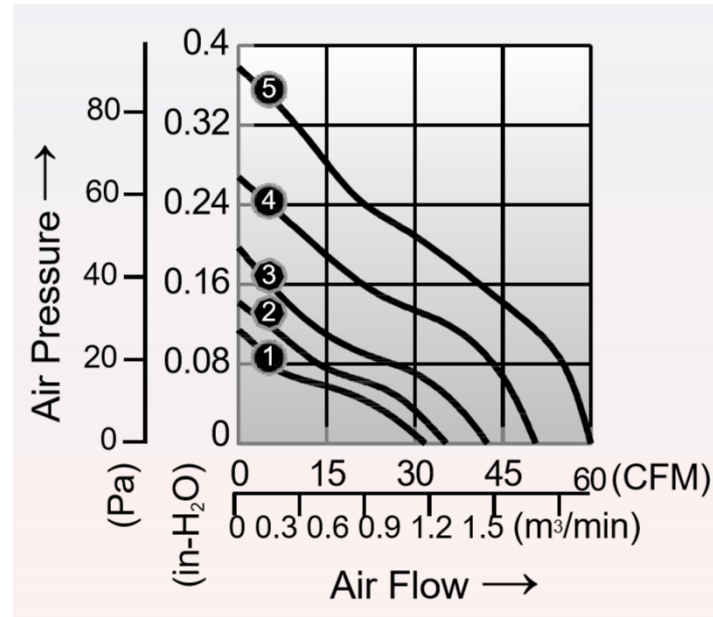
Motor Structure: DC Brushless Motor

Package: 80 g / PC

Dimension (units:mm)



Characteristic Curves



DC Axial Fan

SPECIFICATION

Model	Voltage (V)	Operating Voltage Range(VDC)	Current (A)	Speed (RPM)	Air Flow (CFM)	Pressure (in-H2O)	Noise (dB)
CD128025HB	12	7.0 – 13.2	0.32	4300	50.5	0.27	43
CD128025XB	12	7.0 – 13.2	0.50	5000	60.0	0.38	48
CD128025UB	12	7.0 – 13.2	0.50	5700	74.3	0.38	50
CD248025MB	24	14.0 – 26.4	0.16	3600	42.4	0.20	38
CD248025HB	24	14.0 – 26.4	0.23	4300	50.5	0.27	43
CD248025XB	24	14.0 – 26.4	0.25	5000	60.0	0.38	48
CD488025HB	48	28.0 – 56.0	0.09	3600	42.4	0.20	38
CD488025XB	48	28.0 – 56.0	0.20	4300	50.5	0.27	43
CD488025UB	48	28.0 – 56.0	0.21	5000	60.0	0.38	48



□ 80x80x25 mm



Frame: Plastic

Impeller: Plastic Material UL94V-0

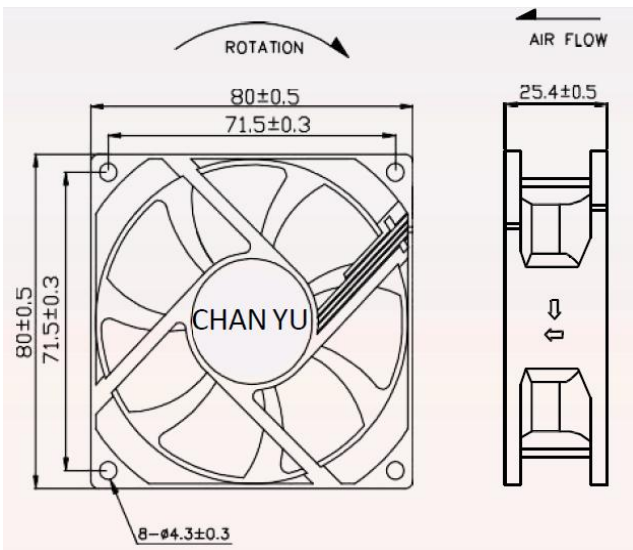
Ambient Temperature Range: -10°C ~ +70°C

Bearing: Ball bearing/Sleeve bearing

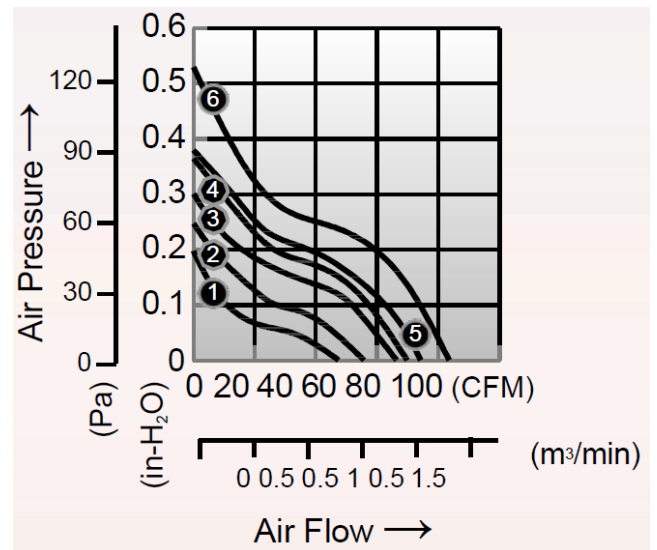
Motor Structure: DC Brushless Motor

Package: 82 g / PC

Dimension (units:mm)



Characteristic Curves



SPECIFICATION

Model	Voltage (V)	Operating Voltage Range(VDC)	Current (A)	Speed (RPM)	Air Flow (CFM)	Pressure (in-H ₂ O)	Noise (dB)
CDD128025MB	12	12.7 – 13.2	0.65	5000	69.9	0.26	45
CDD128025HB	12	12.7 – 13.2	0.81	5500	74.3	0.27	48
CDD128025XB	12	12.7 – 13.2	1.00	6500	83.6	0.38	57
CDD248025MB	24	14.0 – 26.4	0.32	5000	69.9	0.26	45
CDD248025HB	24	14.0 – 26.4	0.45	5500	74.3	0.27	48
CDD248025XB	24	14.0 – 26.4	0.51	6500	83.6	0.38	57
CDD488025MB	48	28.0 – 56.0	0.19	5000	69.9	0.26	49
CDD488025HB	48	28.0 – 56.0	0.29	5500	74.3	0.27	51
CDD488025XB	48	28.0 – 56.0	0.60	6500	83.6	0.38	57



□ 80x80x32 mm



Frame: Plastic

Impeller: Plastic Material UL94V-0

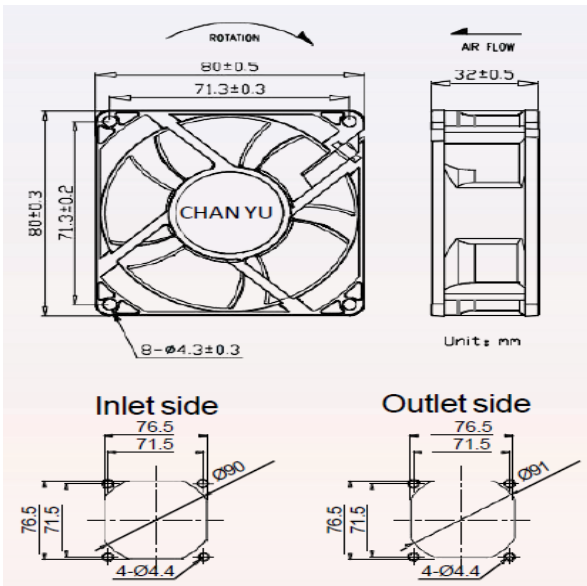
Ambient Temperature Range: -10°C ~ +70°C

Bearing: Ball,

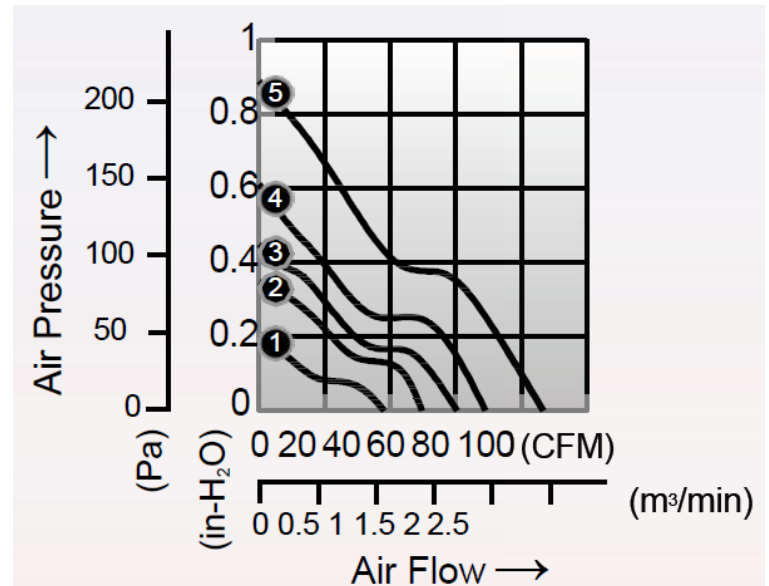
Motor Structure: DC Brushless Motor

Package: 120 g / PC

Dimension (units:mm)



Characteristic Curves



DC AXIAL FAN

SPECIFICATION

Model	Voltage (V)	Operating Voltage Range(VDC)	Current (A)	Speed (RPM)	Air Flow (CFM)	Pressure (in-H ₂ O)	Noise (dB)
CD128032JB	12	7.0 – 13.2	0.15	3000	38.2	0.20	31
CD128032LB	12	7.0 – 13.2	0.20	4000	49.7	0.35	39
CD128032MB	12	7.0 – 13.2	0.35	4800	60.4	0.45	45
CD128032HB	12	7.0 – 13.2	0.50	5500	69.1	0.61	48
CD128032XB	12	7.0 – 13.2	0.80	6800	86.7	0.89	54
CD248032JB	24	14.0 – 26.4	0.35	4800	60.4	0.45	45
CD248032LB	24	14.0 – 26.4	0.50	5500	69.1	0.61	48
CD248032MB	24	14.0 – 26.4	0.75	7000	89.2	0.98	55



□ 80x80x32 mm



Frame: Plastic

Impeller: Plastic Material UL94V-0 P.B.T

Ambient Temperature Range: -10°C ~ +70°C

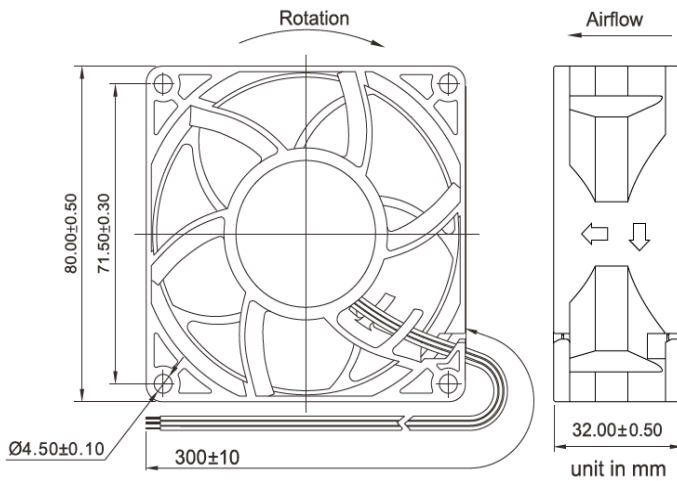
Bearing: Sleeve or Ball

Motor Structure: DC Brushless Motor

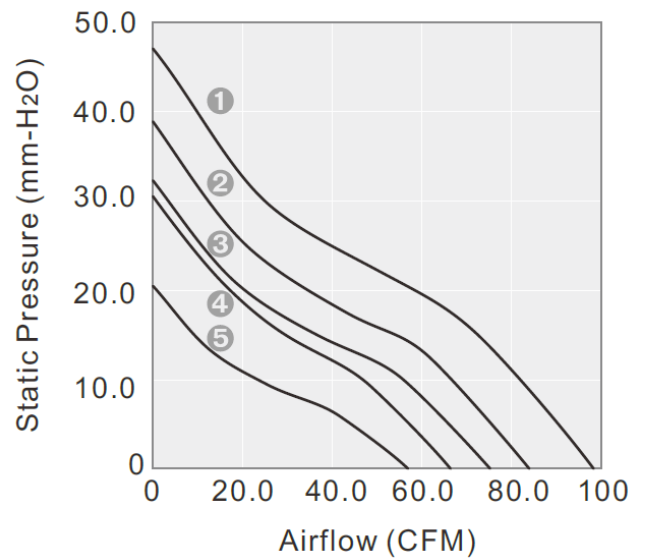
Termination: Lead wire 300± 10mm

Package: 150.6 g / PC

Dimension (units:mm)



Characteristic Curves



SPECIFICATION

Model	Voltage (V)	Operating Voltage Range(VDC)	Current (A)	Power (W)	Speed (RPM)	Air Flow (CFM)	Pressure (in-H2O)	Noise (dB)
CD128032LBL	12	7~13.2	0.35	4.2	6600	57.3	0.80	49.6
CD128032MBL	12	7~13.2	0.45	5.4	7600	66.8	1.20	53.5
CD128032HBL	12	7~13.2	0.65	7.8	8600	75.4	1.26	56.7
CD128032XBL	12	7~13.2	0.8	9.6	9600	85.0	1.52	58.6
CD128032UBL	12	7~13.2	1.24	14.88	11000	98.6	1.85	61.9
CD248032LBL	24	12~26.4	0.18	4.32	6600	57.3	0.80	49.6
CD248032MBL	24	12~26.4	0.26	6.24	7600	66.8	1.20	53.5
CD248032HBL	24	12~26.4	0.34	8.16	8600	75.4	1.26	56.7
CD248032XBL	24	12~26.4	0.42	10.08	9600	85.0	1.52	58.6
CD248032UBL	24	12~26.4	0.70	16.8	11000	98.6	1.85	61.9



□ 80x80x38 mm



Frame: Plastic

Impeller: Plastic Material UL94V-0

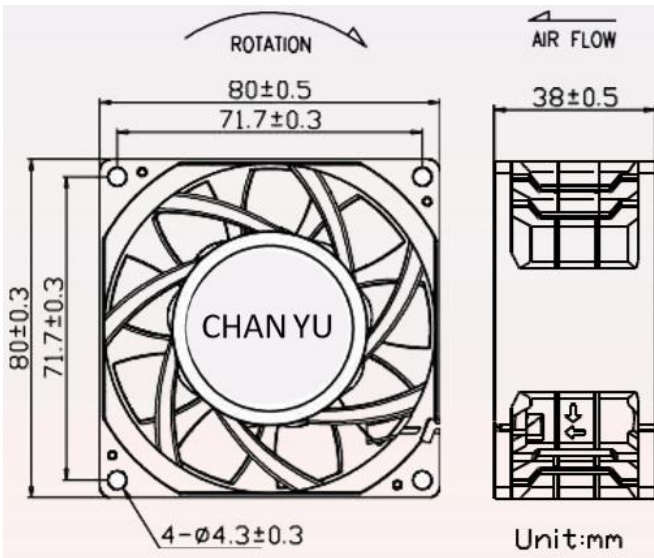
Ambient Temperature Range: -10°C ~ +70°C

Bearing: Ball,

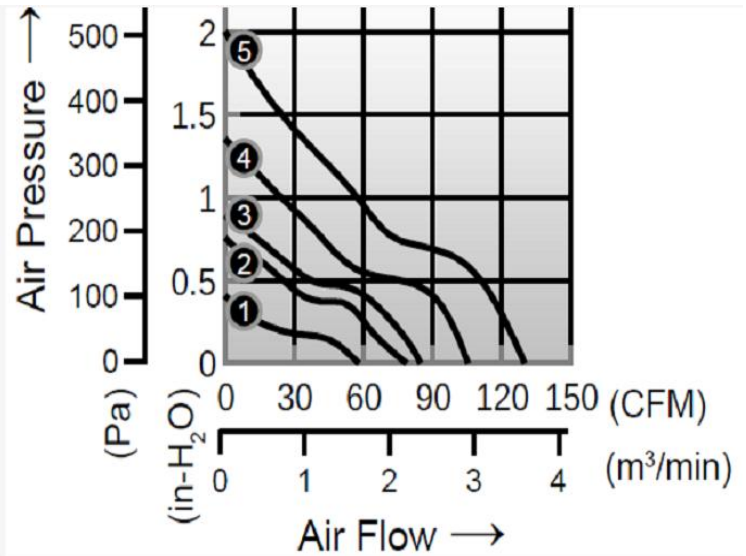
Motor Structure: DC Brushless Motor

Package: 120 g / PC

Dimension (units:mm)



Characteristic Curves



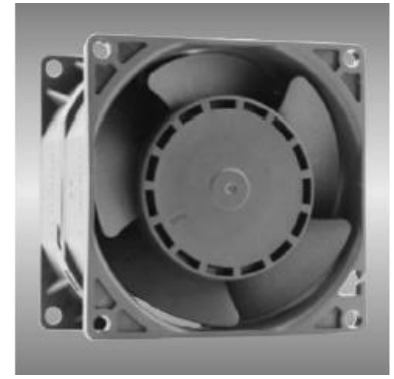
DC Axial Fan

SPECIFICATION

Model	Voltage (V)	Operating Voltage Range(VDC)	Current (A)	Speed (RPM)	Air Flow (CFM)	Pressure (in-H ₂ O)	Noise (dB)
CD128038HB	12	7.0 – 13.2	1.00	6100	84.8	0.89	56
CD128038XB	12	7.0 – 13.2	1.50	7500	105.5	1.36	62
CD128038UB	12	7.0 – 13.2	2.70	9000	130.0	2.00	66
CD248038HB	24	14.0 – 26.4	0.45	6100	84.8	0.89	56
CD248038XB	24	14.0 – 26.4	0.82	7500	105.5	1.36	62
CD248038UB	24	14.0 – 26.4	1.40	9000	130.0	2.00	66
CD488038HB	48	28.0 – 56.0	0.51	6100	84.8	0.89	56
CD488038XB	48	28.0 – 56.0	0.58	7500	105.5	1.36	62
CD488038UB	48	28.0 – 56.0	0.90	9000	130.0	2.00	66



□ 80x80x56 mm



Frame: Plastic

Impeller: Plastic Material UL94V-0

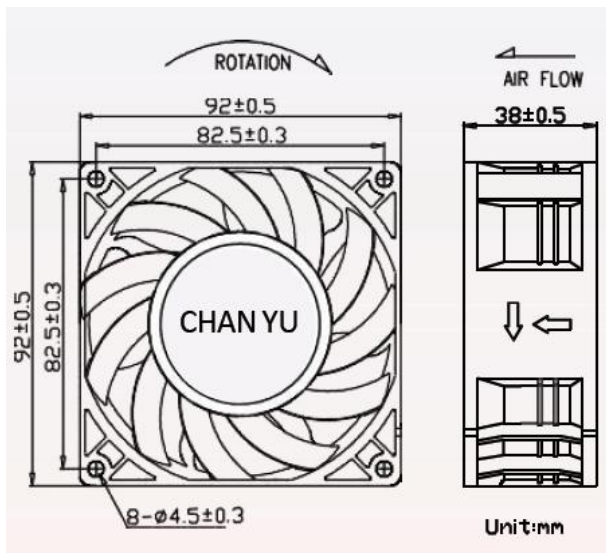
Ambient Temperature Range: -10°C ~ +70°C

Bearing: Ball bearing

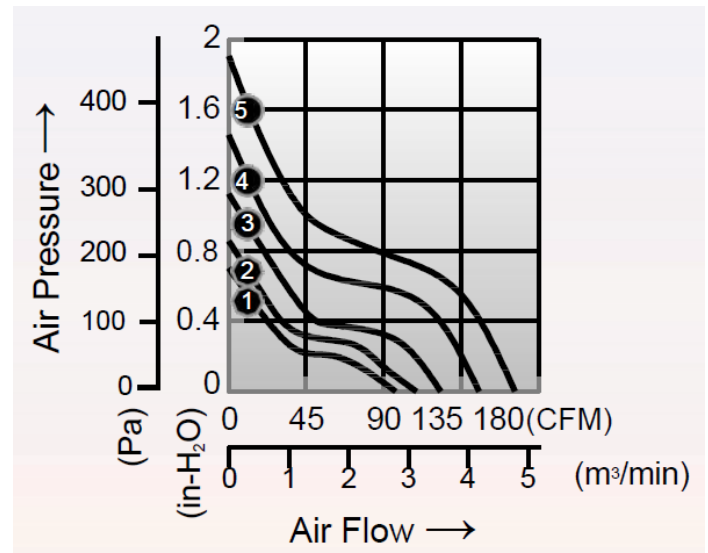
Motor Structure: DC Brushless Motor

Package: 308g / PC

Dimension (units:mm)



Characteristic Curves



DC Axial Fan

SPECIFICATION

Model	Voltage (V)	Operating Voltage Range(VDC)	Current (A)	Speed (RPM)	Air Flow (CFM)	Pressure (in-H ₂ O)	Noise (dB)
CD128056MB	12	7.0 – 13.2	1.10	8000	54.1	2.10	64
CD128056HB	12	7.0 – 13.2	1.30	9600	62.2	2.45	68

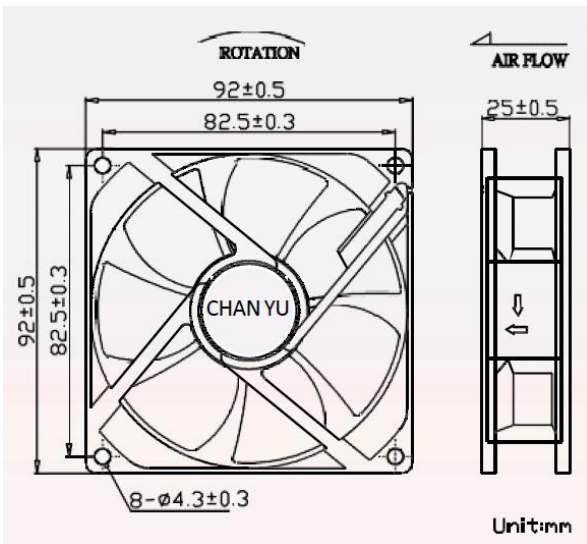


□ 92x92x25 mm

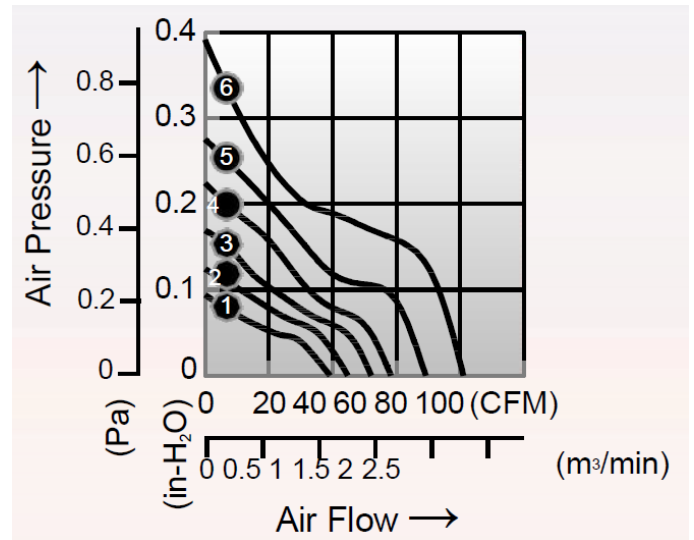


- Frame:** Plastic
- Impeller:** Plastic Material UL94V-0
- Ambient Temperature Range:** -10°C ~ +70°C
- Bearing:** Ball bearing/FMB
- Motor Structure:** DC Brushless Motor
- Package:** 89g / PC

Dimension (units:mm)



Characteristic Curves



DC Axial Fan

SPECIFICATION

Model	Voltage (V)	Operating Voltage Range(VDC)	Current (A)	Speed (RPM)	Air Flow (CFM)	Pressure (in-H ₂ O)	Noise (dB)
CDC129225HB	12	7.0 – 13.2	0.20	3200	58.3	0.22	38
CDC129225XB	12	7.0 – 13.2	0.30	3800	69.2	0.28	45
CDC120925UB	12	7.0 – 13.2	0.41	4500	81.0	0.40	49
CDC240925MB	24	14.0 – 26.4	0.13	2850	52.1	0.17	34
CDC240925HB	24	14.0 – 26.4	0.15	3200	58.3	0.22	38
CDC240925XB	24	14.0 – 26.4	0.20	3800	69.2	0.28	45
CDC480925MB	48	28.0 – 56.0	0.08	2850	52.1	0.17	34
CDC480925HB	48	28.0 – 56.0	0.12	3200	58.3	0.22	38
CDC480925XB	48	28.0 – 56.0	0.15	3800	69.2	0.28	45



□ 92x92x25 mm



Frame: Plastic

Impeller: Plastic Material UL94V-0 P.B.T

Ambient Temperature Range: -10°C ~ +70°C

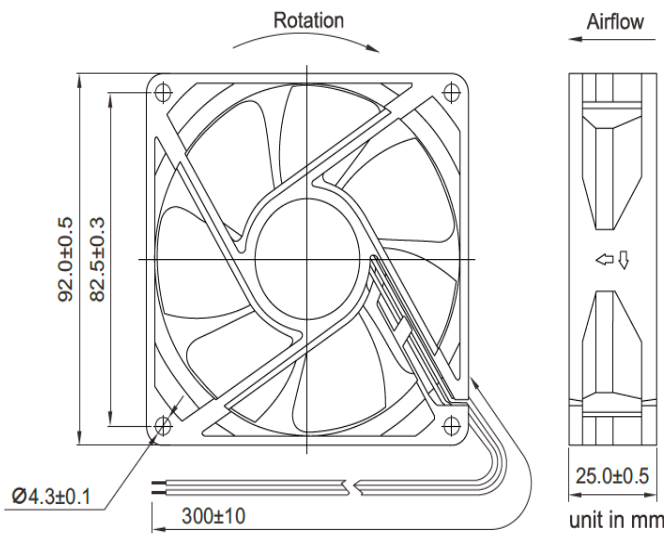
Bearing: Sleeve or Ball

Motor Structure: DC Brushless Motor

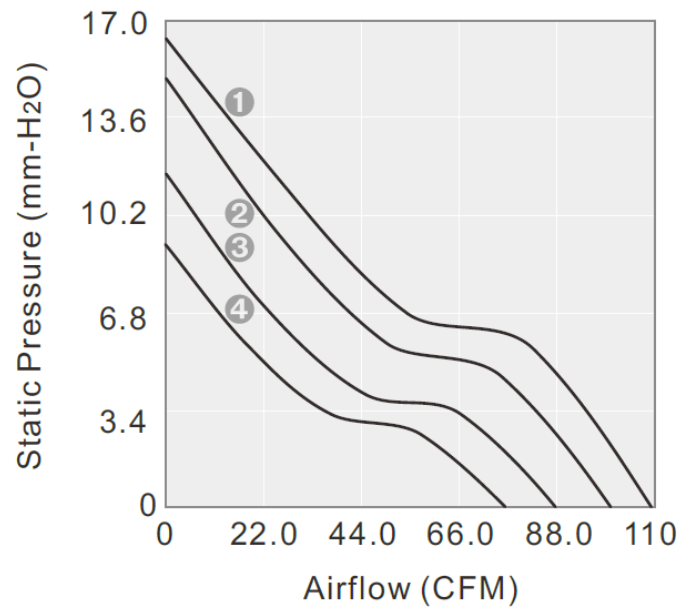
Termination: Lead wire 300± 10mm

Package: 117.6 g / PC

Dimension (units:mm)



Characteristic Curves



DC Axial Fan

SPECIFICATION

Model	Voltage (V)	Operating Voltage Range(VDC)	Current (A)	Power (W)	Speed (RPM)	Air Flow (CFM)	Pressure (in-H2O)	Noise (dB)
CD129225MBL	12	7~13.2	0.45	5.4	4300	87.8	0.46	47
CD129225HBL	12	7~13.2	0.65	7.8	4800	100.3	0.60	49
CD129225XBL	12	7~13.2	0.9	10.8	5300	109.3	0.65	51
CD249225MBL	24	12~26.4	0.26	6.24	4300	87.8	0.46	47
CD249225HBL	24	12~26.4	0.35	8.4	4800	100.3	0.59	49
CD249225XBL	24	12~26.4	0.45	10.8	5300	109.3	0.65	51
CD489225MBL	48	24~56	0.13	6.24	4300	87.8	0.46	47
CD489225HBL	48	24~56	0.17	8.16	4800	100.3	0.59	49
CD489225XBL	48	24~56	0.22	10.6	5300	109.3	0.65	51



□ 92x92x38 mm



Frame: Plastic

Impeller: Plastic Material UL94V-0

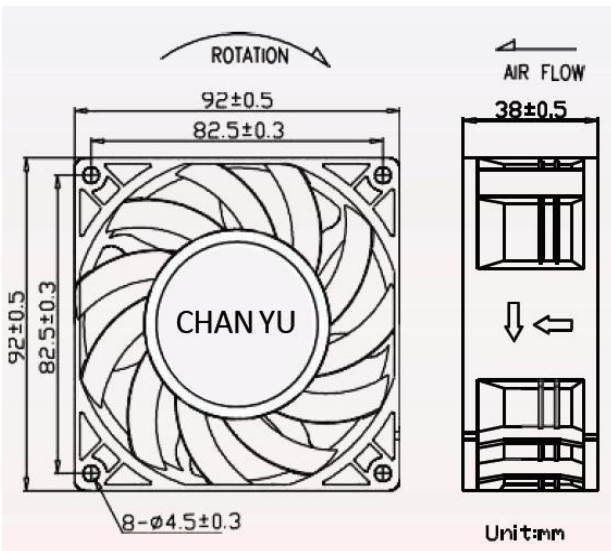
Ambient Temperature Range: -10°C ~ +70°C

Bearing: Ball bearing

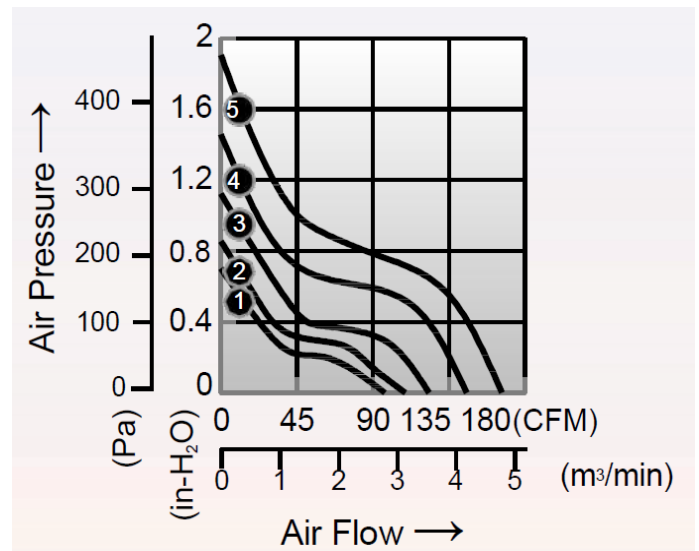
Motor Structure: DC Brushless Motor

Package: 200g / PC

Dimension (units:mm)



Characteristic Curves



SPECIFICATION

Model	Voltage (V)	Operating Voltage Range(VDC)	Current (A)	Speed (RPM)	Air Flow (CFM)	Pressure (in-H ₂ O)	Noise (dB)
CD129238HB	12	7.0 – 13.2	1.20	6000	123.4	1.12	64
CD129238XB	12	7.0 – 13.2	2.50	7000	145.6	1.46	67
CD129238UB	12	7.0 – 13.2	2.95	8000	166.4	1.91	72
CD249238HB	24	14.0 – 26.4	0.76	6000	123.4	1.12	64
CD249238XB	24	14.0 – 26.4	1.10	7000	145.6	1.46	67
CD249238UB	24	14.0 – 26.4	1.70	8000	166.4	1.91	72
CD489238HB	48	28.0 – 56.0	0.41	6000	123.4	1.12	64
CD489238XB	48	28.0 – 56.0	0.72	7000	145.6	1.46	67
CD489238UB	48	28.0 – 56.0	0.94	8000	166.4	1.91	72



□ 92x92x38 mm



Frame: Plastic

Impeller: Plastic Material UL94V-0 P.B.T

Ambient Temperature Range: -10°C ~ +70°C

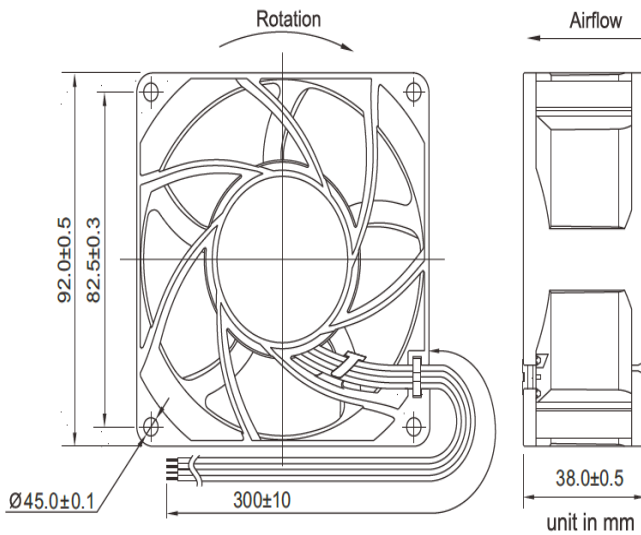
Bearing: Sleeve or Ball

Motor Structure: DC Brushless Motor

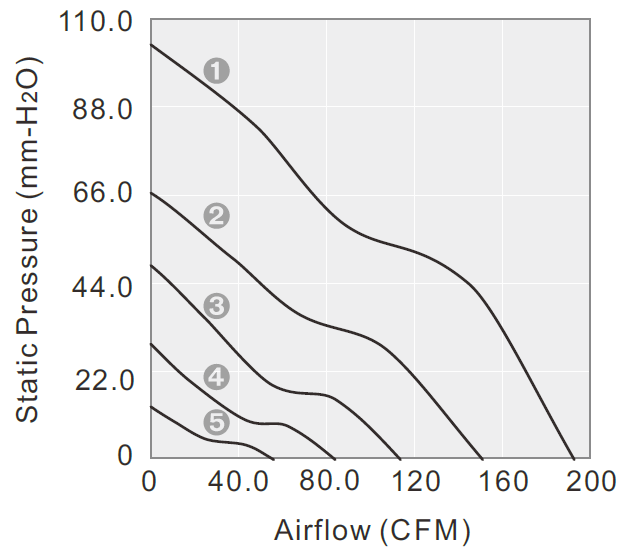
Termination: Lead wire 300± 10mm

Package: 233 g / PC

Dimension (units:mm)



Characteristic Curves



DC Axial Fan

SPECIFICATION

Model	Voltage (V)	Operating Voltage Range(VDC)	Current (A)	Power (W)	Speed (RPM)	Air Flow (CFM)	Pressure (in-H2O)	Noise (dB)
CD129238HBL	12	7~14	1.1	13.2	8000	113.6	1.89	57.5
CD129238XBL	12	7~14	2.4	28.8	10500	150.9	2.63	65
CD129238UBL	12	7~14	4.4	52.8	12500	184.5	3.11	67.5
CD249238HBL	24	10~30	0.54	12.96	8000	113.6	1.93	57.5
CD249238XBL	24	10~30	1.05	25.2	10500	150.9	2.63	65
CD249238UBL	24	10~30	2.2	52.8	13500	192.9	4.08	68.5
CD489238HBL	48	24~75	0.28	13.44	8000	113.6	1.93	57.5
CD489238XBL	48	24~75	0.54	25.92	10500	150.9	2.63	65
CD489238UBL	48	24~75	1.1	52.8	13500	192.9	4.08	68.5

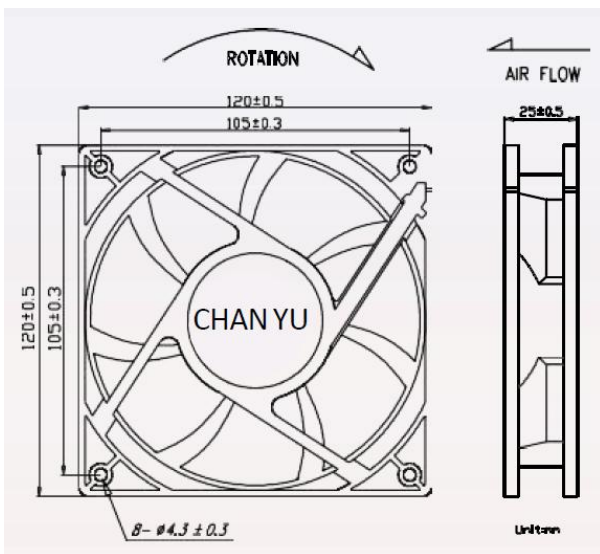


□ 120x120x25 mm

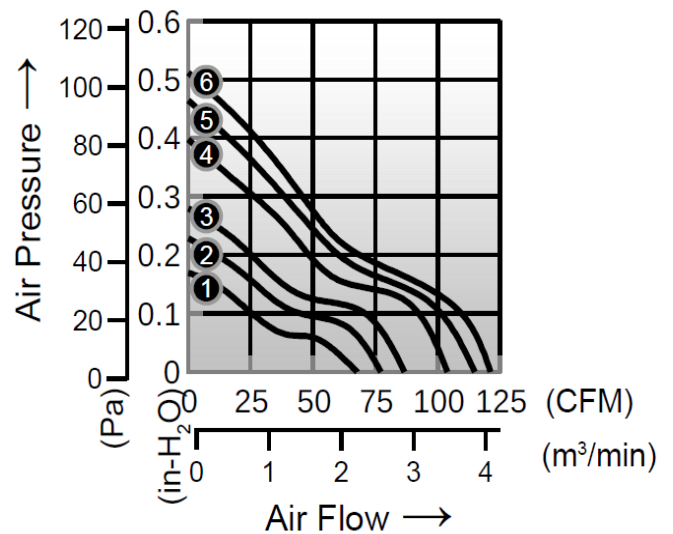


- Frame:** Plastic
- Impeller:** Plastic Material UL94V-0
- Ambient Temperature Range:** -10°C ~ +70°C
- Bearing:** Ball bearing
- Motor Structure:** DC Brushless Motor
- Package:** 230g / PC

Dimension (units:mm)



Characteristic Curves



SPECIFICATION

Model	Voltage (V)	Operating Voltage Range(VDC)	Current (A)	Speed (RPM)	Air Flow (CFM)	Pressure (in-H ₂ O)	Noise (dB)
CDC121225HB	12	7.0 – 13.2	0.50	3400	103.9	0.40	47
CDC121225XB	12	7.0 – 13.2	0.62	3700	114.8	0.46	50
CDC121225UB	12	7.0 – 13.2	0.65	4000	121.1	0.51	52
CDC241225HB	24	14.0 – 26.4	0.28	3400	103.9	0.40	47
CDC241225XB	24	14.0 – 26.4	0.30	3700	114.8	0.46	50
CDC241225UB	24	14.0 – 26.4	0.40	4000	121.1	0.51	52
CDC481225LB	48	28.0 – 56.0	0.10	2500	77.2	0.23	39
CDC481225MB	48	28.0 – 56.0	0.11	2800	86.7	0.28	42
CDC481225HB	48	28.0 – 56.0	0.12	3400	103.9	0.40	47

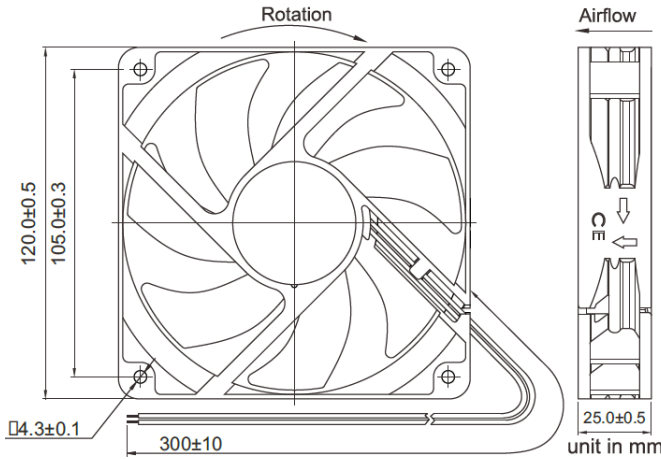


□ 120x120x25mm

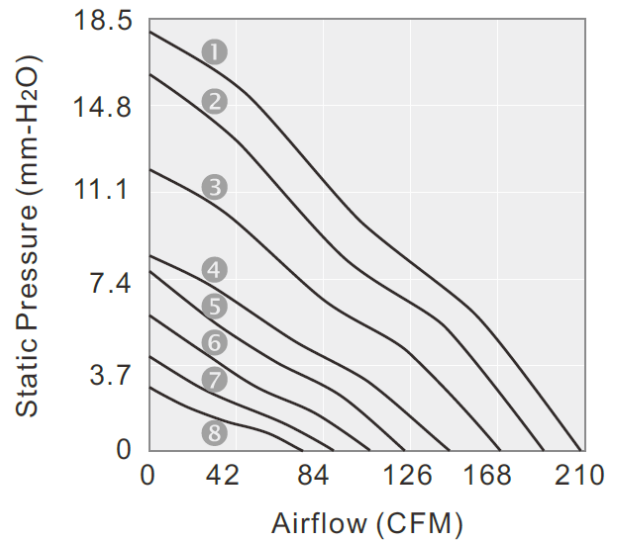


- Frame:** Plastic
- Impeller:** Plastic Material UL94V-0 P.B.T
- Ambient Temperature Range:** -10°C ~ +70°C
- Bearing:** Sleeve or Ball
- Motor Structure:** DC Brushless Motor
- Termination:** Lead wire 300± 10mm
- Package:** 160g / PC

Dimension (units:mm)



Characteristic Curves



SPECIFICATION

Model	Voltage (V)	Operating Voltage Range(VDC)	Current (A)	Power (W)	Speed (RPM)	Air Flow (CFM)	Pressure (in-H2O)	Noise (dB)
CD121225HBL	12	7~13.2	0.46	5.52	2600	106.1	0.23	44
CD121225XBL	12	7~13.2	0.95	11.4	4100	169.5	0.47	55
CD121225UBL	12	7~13.2	1.3	15.6	4600	190.2	0.64	57.5
CD121225WBL	12	7~13.2	1.9	22.8	5200	208.4	0.7	59.5
CD241225HBL	24	12~26.4	0.28	6.72	2600	106.1	0.23	44
CD241225XBL	24	12~26.4	0.38	9.12	3500	144.6	0.33	51.5
CD241225UBL	24	12~26.4	0.66	15.84	4600	190.2	0.64	57.5
CD241225WBL	24	12~26.4	1	24.00	5200	208.4	0.7	59.5
CD481225HBL	48	24~56	0.13	6.24	2600	106.1	0.23	44
CD481225XBL	48	24~56	0.2	9.6	3500	144.6	0.33	51.5
CD481225UBL	48	24~56	0.33	15.84	4600	190.2	0.64	57.5
CD481225WBL	48	24~56	0.52	24.96	5200	208.4	0.71	59.5



□ 120x120x32mm



Frame: Plastic

Impeller: Plastic Material UL94V-0 P.B.T

Ambient Temperature Range: -10°C ~ +70°C

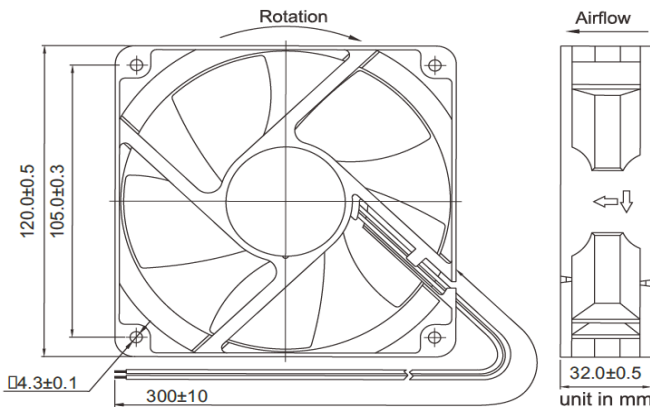
Bearing: Sleeve or Ball

Motor Structure: DC Brushless Motor

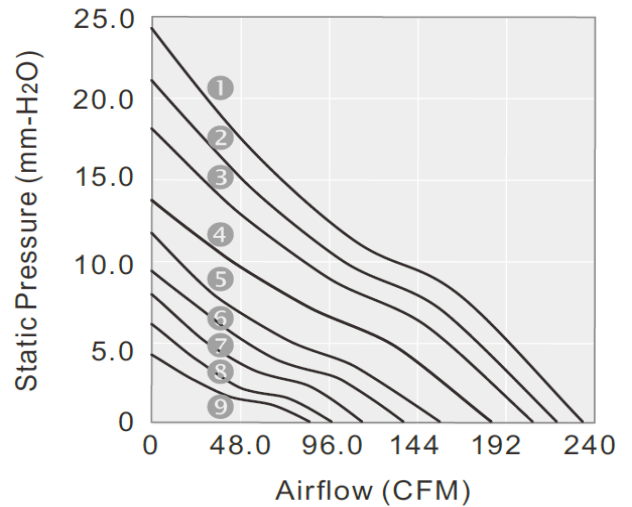
Termination: Lead wire 300± 10mm

Package: 219 g / PC

Dimension (units:mm)



Characteristic Curves



SPECIFICATION

Model	Voltage (V)	Operating Voltage Range(VDC)	Current (A)	Power (W)	Speed (RPM)	Air Flow (CFM)	Pressure (in-H2O)	Noise (dB)
CD121232HBL	12	7~13.2	0.58	6.96	2900	87.7	0.31	47.5
CD121232XBL	12	7~13.2	1.1	13.2	4100	115	0.54	58.5
CD121232UBL	12	7~13.2	1.6	19.2	4600	184.8	0.72	61
CD121232WBL	12	7~13.2	2.2	26.4	4900	207.3	0.83	62
CD241232HBL	24	12~26.4	0.29	6.96	2900	115	0.31	47.5
CD241232XBL	24	12~26.4	0.36	8.64	3500	157.7	0.46	55
CD241232UBL	24	12~26.4	0.75	18	4600	207.3	0.72	61
CD241232WBL	24	12~26.4	1	24	5200	234.3	0.96	63.5
CD481232HBL	48	24~56	0.19	9.12	2900	115	0.31	47
CD481232XBL	48	24~56	0.21	10.08	3500	157.7	0.46	55
CD481232UBL	48	24~56	0.45	21.6	4600	207.3	0.72	61
CD481232WBL	48	24~56	0.6	28.8	5200	234.3	0.96	63.5



□ 120x120x38 mm



Frame: Plastic

Impeller: Plastic Material UL94V-0

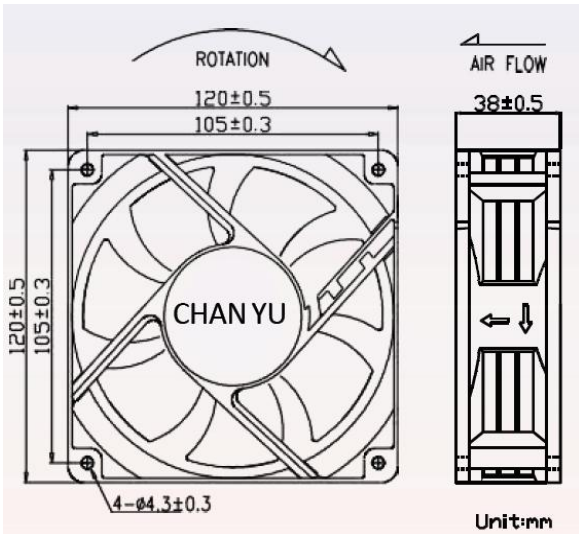
Ambient Temperature Range: -10°C ~ +70°C

Bearing: Ball bearing/Sleeve bearing

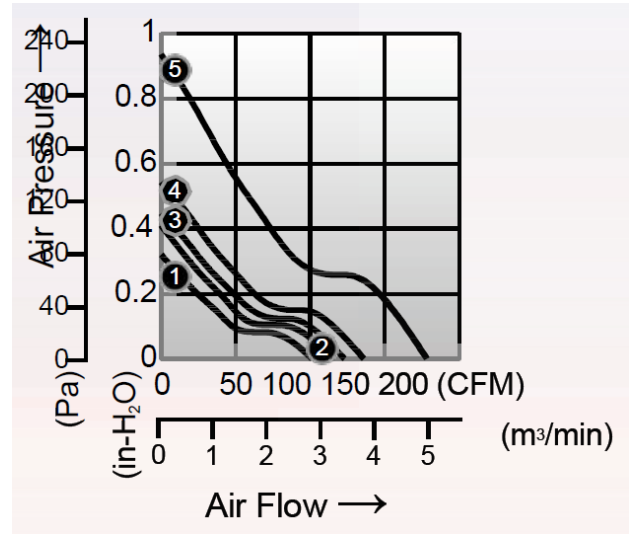
Motor Structure: DC Brushless Motor

Package: 260g / PC

Dimension (units:mm)



Characteristic Curves



DC Axial Fan

SPECIFICATION

Model	Voltage (V)	Operating Voltage Range(VDC)	Current (A)	Speed (RPM)	Air Flow (CFM)	Pressure (in-H ₂ O)	Noise (dB)
CD121238XB	12	7.0 – 13.2	0.75	2900	123.2	0.45	44
CD121238UB	12	7.0 – 13.2	0.80	3200	135.9	0.54	48
CD121238WB	12	7.0 – 13.2	1.55	4200	178.4	0.94	54
CD241238HB	24	14.0 – 26.4	0.48	2900	123.2	0.45	44
CD241238XB	24	14.0 – 26.4	0.62	3200	135.9	0.54	48
CD241238UB	24	14.0 – 26.4	0.85	4200	178.4	0.94	54
CD481238LB	48	28.0 – 56.0	0.25	2900	123.2	0.45	44
CD481238MB	48	28.0 – 56.0	0.30	3200	135.9	0.54	48
CD481238HB	48	28.0 – 56.0	0.48	4200	178.4	0.94	54



□ 120x120x38 mm



Frame: Plastic

Impeller: Plastic Material UL94V-0

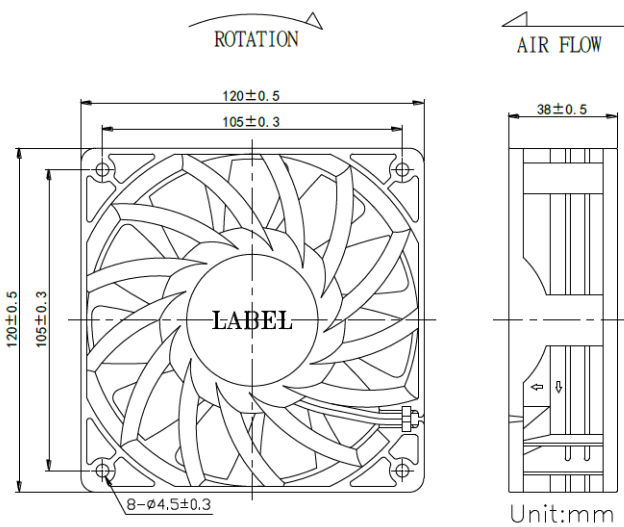
Ambient Temperature Range: -10°C ~ +70°C

Bearing: Ball bearing

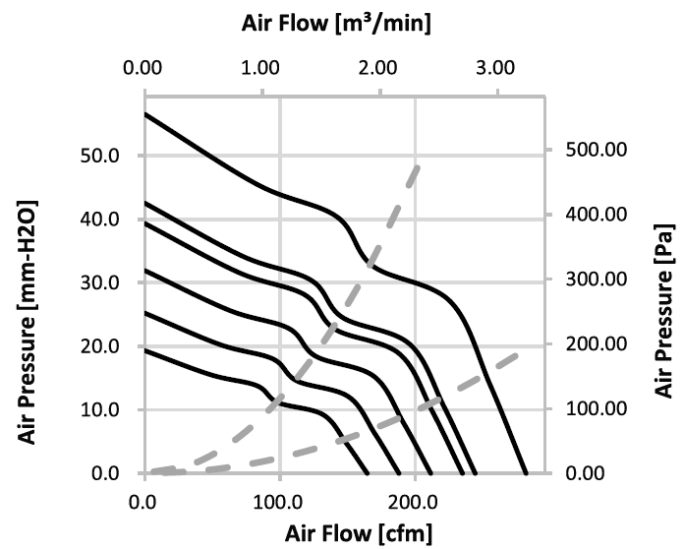
Motor Structure: DC Brushless Motor

Package: 315g / PC

Dimension (units:mm)



Characteristic Curves



SPECIFICATION

Model	Voltage (V)	Operating Voltage Range(VDC)	Current (A)	Speed (RPM)	Air Flow (CFM)	Pressure (in-H2O)	Noise (dB)
CDP121238LB	12	7.0 – 13.2	1.60	3500	164.3	0.76	52
CDP121238MB	12	7.0 – 13.2	2.00	4000	187.8	0.99	55
CDP121238HB	12	7.0 – 13.2	2.80	4500	211.3	1.26	57
CDP241238XB	24	14.0 – 26.4	1.80	5000	234.8	1.55	60
CDP241238UB	24	14.0 – 26.4	2.00	5200	244.2	1.67	61
CDP241238WB	24	14.0 – 26.4	2.60	5500	258.2	1.87	62
CDP481238XB	48	28.0 – 56.0	0.90	5000	234.8	1.55	60
CDP481238UB	48	28.0 – 56.0	1.00	5200	244.2	1.67	61
CDP481238WB	48	28.0 – 56.0	1.30	6000	281.8	2.22	64

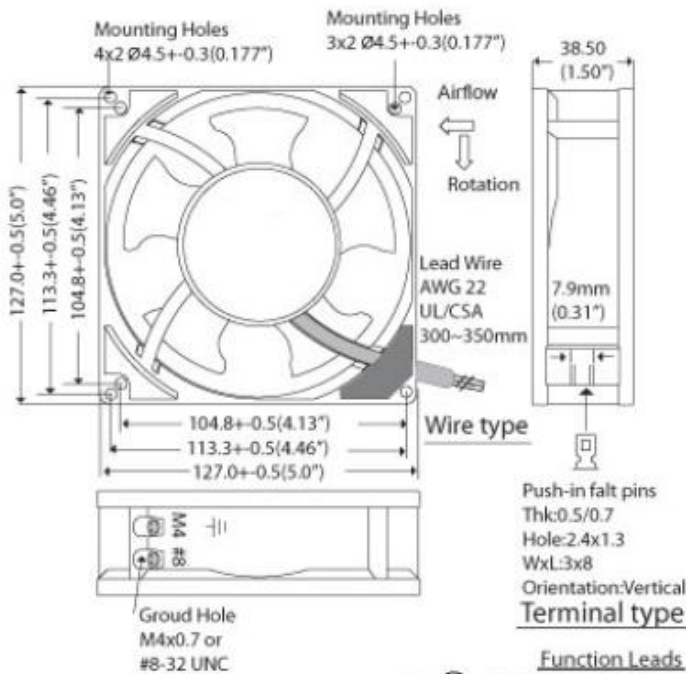


□ 127x127x38.5mm

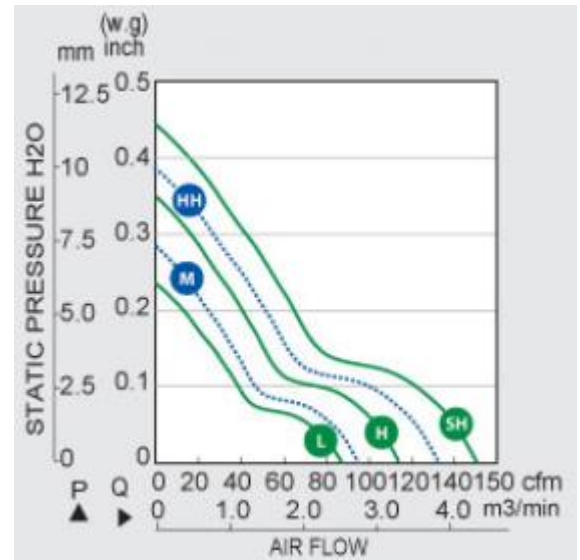


- Frame:** Aluminum
- Impeller:** 5 blades, glass fiber reinforced plastic, rated UL94V-0
- Ambient Temperature Range:** -15°C ~ +65°C
- Bearing:** Sleeve or Ball
- Motor Structure:** Brushless DC Motor, auto cutoff, auto restart
- Termination:** Lead wire 300± 10mm
- Package:** 420 g / PC

Dimension (units:mm)



Characteristic Curves



DC Axial Fan



□ 127x127x38.5mm



SPECIFICATION

DC Axial Fan

Model	Voltage (V)	Operating Voltage Range(VDC)	Current (A)	Power (W)	Speed (RPM)	Air Flow (CFM)	Pressure (in-H ₂ O)	Noise (dB)
CD051239LBL	5	4~6	0.4	2	1700	75	0.21	28
CD051239MBL	5	4~6	0.55	3	2000	90	0.27	32
CD051239HBL	5	4~6	0.65	3.5	2300	100	0.31	36
CD051239XBL	5	4~6	1.6	8	2600	113	0.35	40
CD051239UBL	5	4~6	1.9	9.5	2900	128	0.39	43
CD121239LBL	12	9~13.8	0.2	2.4	1900	86	0.23	30
CD121239MBL	12	9~13.8	0.4	4.8	2200	96	0.29	34
CD121239HBL	12	9~13.8	0.5	6	2500	110	0.33	38
CD121239XBL	12	9~13.8	0.7	8.4	2800	122	0.37	42
CD121239UBL	12	9~14	0.88	10.6	3100	138	0.4	45
CD241239LBL	24	12~28	0.15	3.6	1900	86	0.23	30
CD241239MBL	24	12~27.6	0.19	4.6	2200	96	0.29	34
CD241239HBL	24	12~27.6	0.23	5.5	2600	115	0.35	40
CD241239XBL	24	12~27.6	0.35	8.4	2900	128	0.39	43
CD241239UBL	24	12~27.6	0.43	10.3	3200	145	0.43	46
CD481239LBL	48	28~60	0.07	3.4	1900	86	0.23	30
CD481239MBL	48	26~58	0.08	3.8	2200	96	0.29	34
CD481239HBL	48	26~56	0.1	5	2600	115	0.35	40
CD481239XBL	48	26~56	0.16	7.7	2900	128	0.39	43
CD481239UBL	48	26~56	0.22	10.6	3200	145	0.43	46



□ 140x140x25mm

Frame: Plastic

Impeller: Plastic Material UL94V-0 P.B.T

Ambient Temperature Range: -10°C ~ +70°C

Bearing: Sleeve or Ball

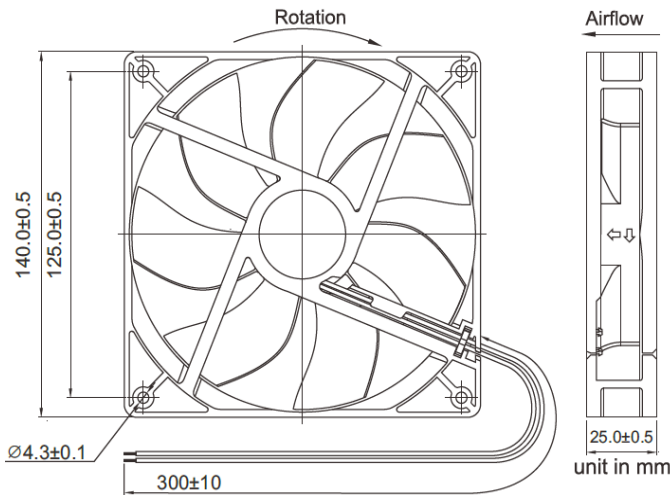
Motor Structure: DC Brushless Motor

Termination: Lead wire 300± 10mm

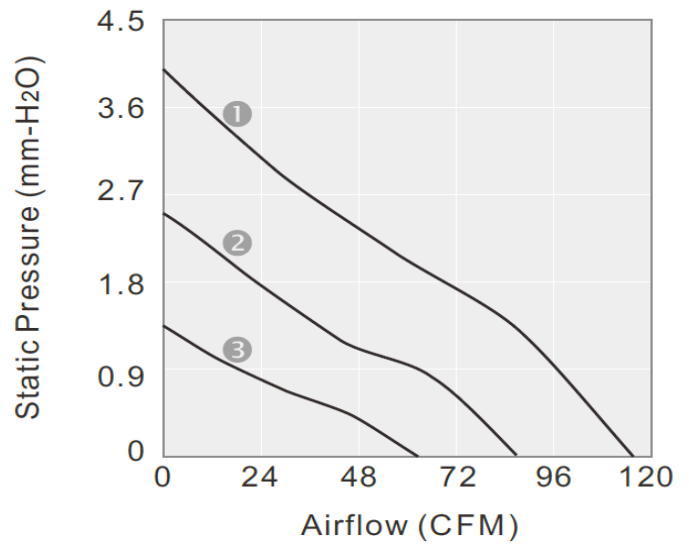
Package: 182 g / PC



Dimension (units:mm)



Characteristic Curves



DC Axial Fan

SPECIFICATION

Model	Voltage (V)	Operating Voltage Range(VDC)	Current (A)	Power (W)	Speed (RPM)	Air Flow (CFM)	Pressure (in-H ₂ O)	Noise (dB)
CD121425LBL	12	7~13.2	0.07	0.84	1050	62.1	0.05	21.7
CD121425MBL	12	7~13.2	0.17	2.04	1450	87.1	0.10	31.6
CD121425HBL	12	7~13.2	0.37	4.44	1850	115.3	0.16	40.6



□ 172x150x38mm



Frame: Aluminum

Impeller: Plastic

Ambient Temperature Range: -10°C ~ +70°C

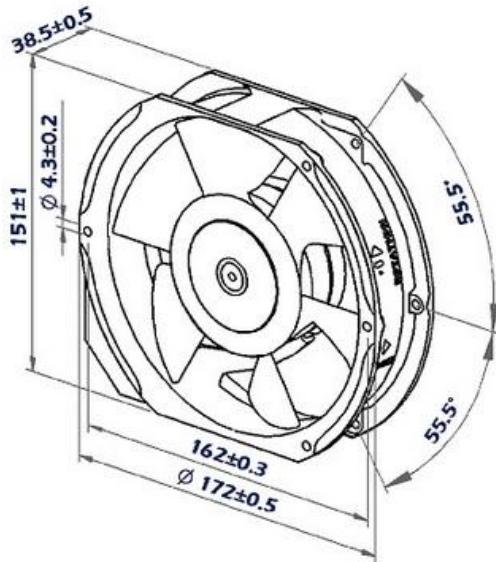
Bearing: Ball **IP54**

Motor Structure: DC Permanent Magnet Brushless

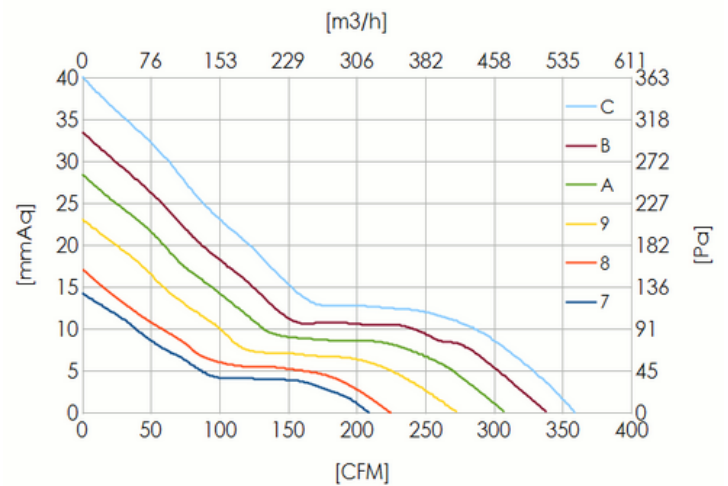
Termination: Terminals or Lead wire

Package: 840 g / PC, 12PCS/CTN

Dimension (units:mm)



Characteristic Curves



SPECIFICATION

Model	Voltage (V)	Current (A)	Speed (RPM)	Air Flow (CFM)	Pressure (mmAq)	Noise (dB)	Curve NO.
CDx1738LB	12/24/48	1.1/0.54/0.28	2800	210	14.5	52	7
CDx1738MB	12/24/48	1.59/0.78/0.37	3200	245	18.6	56	8
CDx1738HB	12/24/48	2.34/1.08/0.52	3600	275	23.1	60	9
CDx1738XB	12/24/48	3.33/1.38/0.68	4000	310	28.5	64	A
CDx1738XB	24/48	1.91/0.9	4400	340	33.4	68	B
CDx1738XB	24/48	2.34/1.13	4800	360	39.2	72	C

x: 6(12V),7(24V),8(48V)

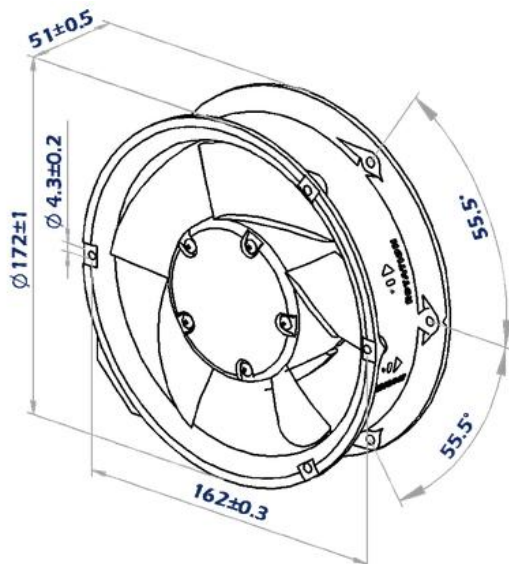


□ 172x51mm

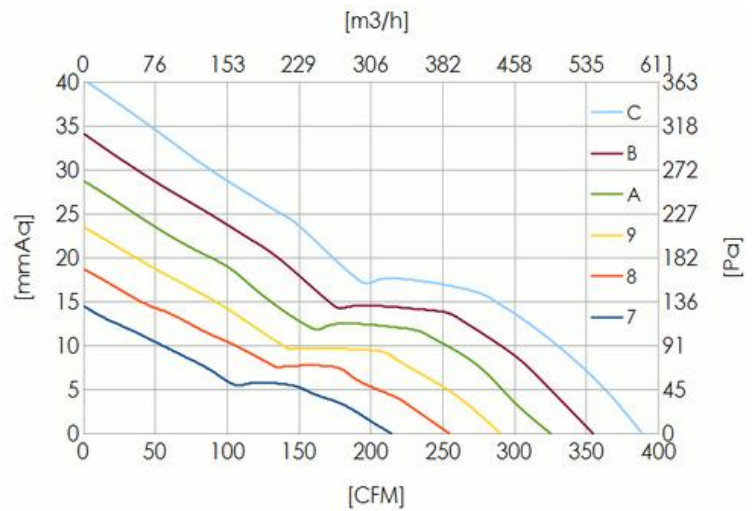


Frame: Aluminum
Impeller: Plastic
Ambient Temperature Range: -10°C ~ +70°C
Bearing: Ball **IP54**
Motor Structure: DC Permanent Magnet Brushless
Termination: Terminal or Lead Wire
Package: 1070 g / PC, 12PCS/CTN

Dimension (units:mm)



Characteristic Curves



DC Axial Fan

SPECIFICATION

Model	Voltage (V)	Current (A)	Speed (RPM)	Air Flow (CFM)	Pressure (mmAq)	Noise (dB)	Curve NO.
CDx1751LB	12/24/48	1.31/0.65/0.33	2800	220	14.5	52	7
CDx1751MB	12/24/48	1.88/0.89/0.45	3200	255	18.7	56	8
CDx1751HB	12/24/48	2.75/1.21/0.6	3600	290	23.5	60	9
CDx1751XB	12/24/48	3.74/1.69/0.79	4000	325	28.8	64	A
CDx1751XB	24/48	2.41/1.15	4400	355	34.1	68	B
CDx1751XB	24/48	2.96/1.48	4800	390	40.3	72	C

x: 6(12V),7(24V),8(48V)

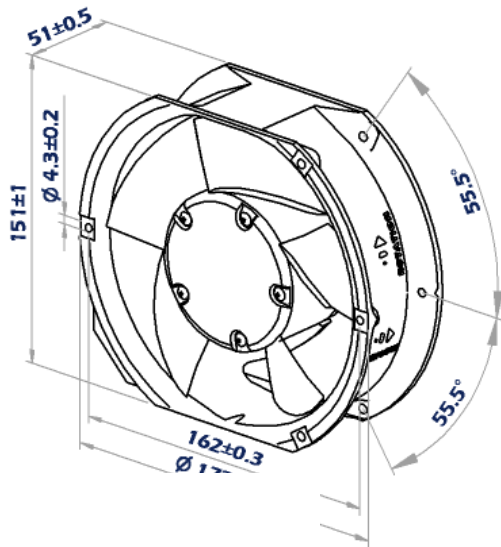


□ 172x150x51mm

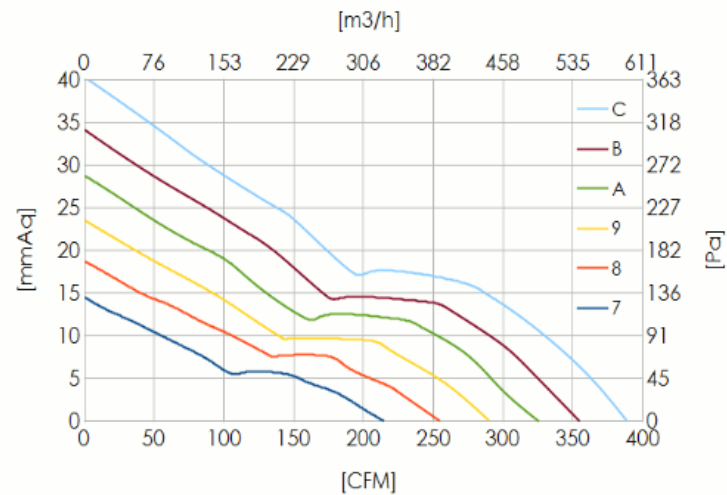


- Frame:** Aluminum
- Impeller:** Plastic
- Ambient Temperature Range:** -10°C ~ +70°C
- Bearing:** Ball **IP54**
- Motor Structure:** DC Permanent Magnet Brushless
- Termination:** Terminal or Lead wire
- Package:** 1070 g / PC, 12PCS/CTN

Dimension (units:mm)



Characteristic Curves



SPECIFICATION

Model	Voltage (V)	Current (A)	Speed (RPM)	Air Flow (CFM)	Pressure (mmAq)	Noise (dB)	Curve NO.
CDx1751LB	12/24/48	1.31/0.65/0.33	2800	220	14.5	52	7
CDx1751MB	12/24/48	1.88/0.89/0.45	3200	255	18.7	56	8
CDx1751HB	12/24/48	2.75/1.21/0.6	3600	290	23.5	60	9
CDx1751XB	12/24/48	3.73/1.69/0.79	4000	325	28.8	64	A
CDx1751XB	24/48	2.41/1.15	4400	355	34.1	68	B
CDx1751XB	24/48	2.94/1.48	4800	390	40.3	72	C

x: 6(12V),7(24V),8(48V)

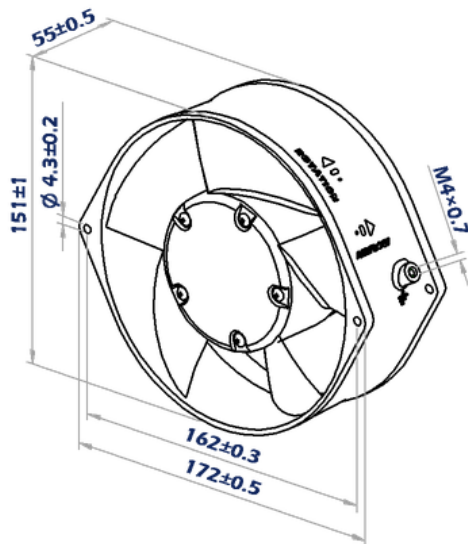


□ 172x150x55mm

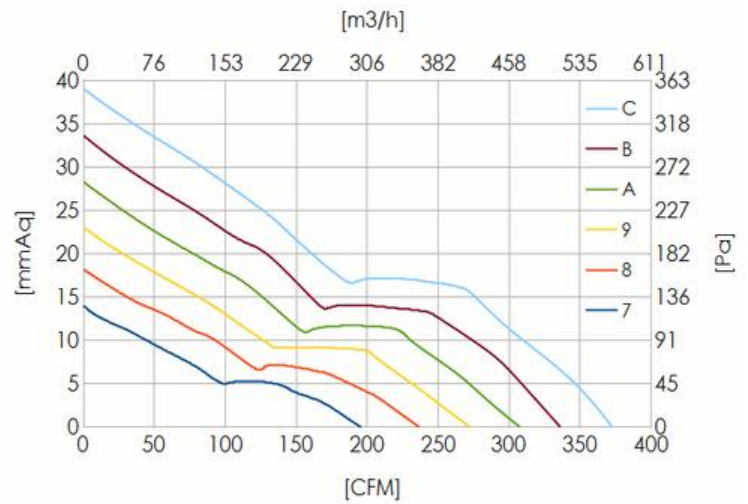


- Frame:** Aluminum
- Impeller:** Plastic
- Ambient Temperature Range:** -10°C ~ +70°C
- Bearing:** Ball **IP54**
- Motor Structure:** DC Permanent Magnet Brushless
- Termination:** Terminal or Lead wire
- Package:** 1010 g / PC, 12PCS/CTN

Dimension (units:mm)



Characteristic Curves



SPECIFICATION

Model	Voltage (V)	Current (A)	Speed (RPM)	Air Flow (CFM)	Pressure (mmAq)	Noise (dB)	Curve NO.
CDx1755LB	12/24/48	1.31/0.65/0.33	2800	205	13.9	53	7
CDx1755MB	12/24/48	1.88/0.94/0.45	3200	240	18.2	57	8
CDx1755HB	12/24/48	2.75/1.21/0.6	3600	275	22.9	61	9
CDx1755XB	12/24/48	3.74/1.69/0.79	4000	310	28.3	65	A
CDx1755XB	24/48	2.41/1.15	4400	340	33.6	69	B
CDx1755XB	24/48	2.94/1.48	4800	375	39.7	73	C

x: 6(12V),7(24V),8(48V)



□ 176x176x89mm



Frame: Aluminum

Impeller: Glass fiber reinforced thermoplastic impeller, rated UL94V-0

Ambient Temperature Range: -10°C ~ +70°C

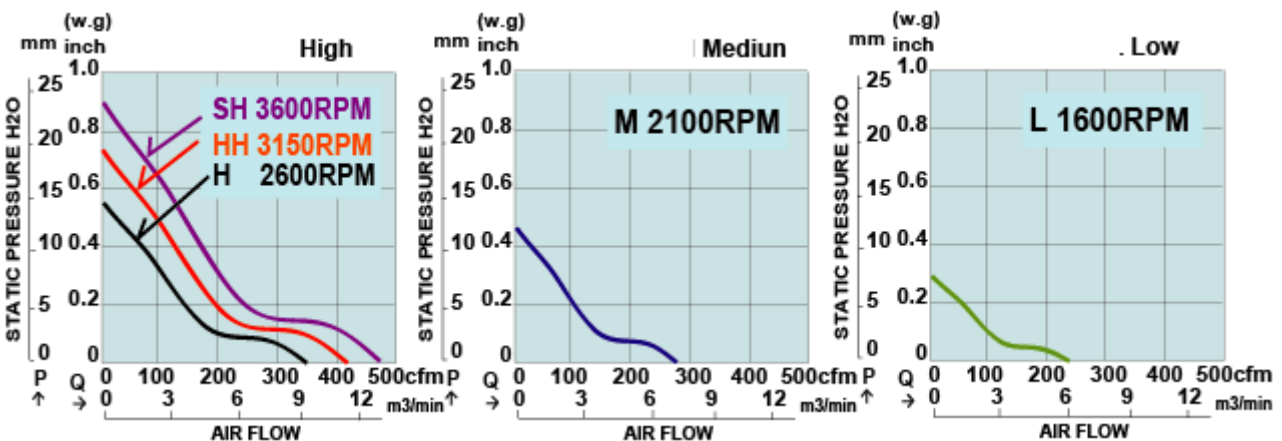
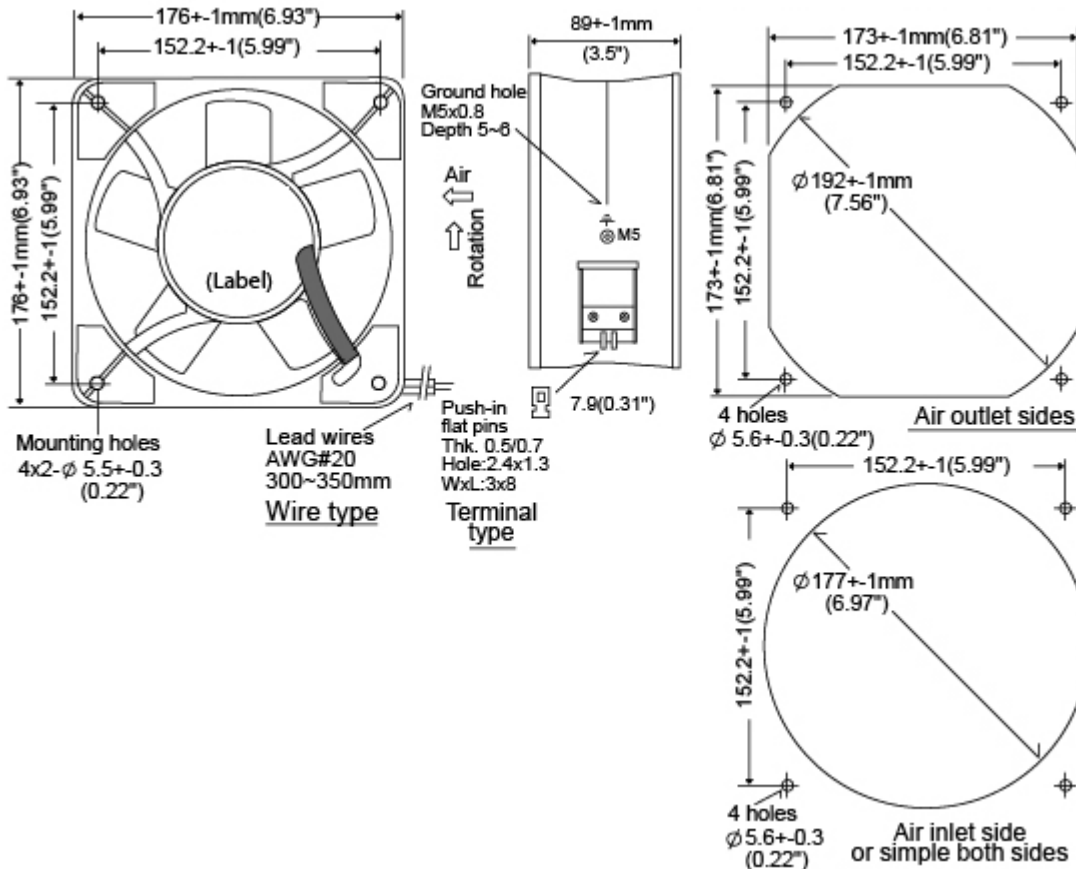
Bearing: Sleeve or Ball

Motor Structure: DC Brushless Motor

Termination: Lead wire 300± 10mm

Package: 1500 g / PC

Dimension (units:mm)





□ 176x176x89mm



SPECIFICATION

Model	Voltage (V)	Operating Voltage Range(VDC)	Current (A)	Power (W)	Speed (RPM)	Air Flow (CFM)	Pressure (in-H ₂ O)	Noise (dB)
CD121789LBL	12	10~14	0.45	5.5	1600	230	0.23	39
CD121789MBL	12	10~14	1.1	13.2	2100	290	0.47	46
CD121789HBL	12	9~13.8	1.9	23	2600	350	0.55	53
CD121789XBL	12	9~13.8	4.2	50.4	3100	410	0.75	60
CD121789UBL	12	9~13.8	5.4	64.8	3600	485	0.89	65
CD241789LBL	24	12~28	0.2	5	1600	230	0.23	39
CD241789MBL	24	12~28	0.52	13	2100	290	0.47	46
CD241789HBL	24	12~27.6	0.97	24	2600	350	0.55	53
CD241789XBL	24	12~27.6	2.1	50.4	3150	420	0.76	61
CD241789UBL	24	12~27.6	2.65	63.6	3600	485	0.89	65
CD481789LBL	48	30~62	0.12	5.8	1600	230	0.23	39
CD481789MBL	48	28~58	0.3	14.5	2100	290	0.47	46
CD481789HBL	48	24~53	0.48	23.5	2600	350	0.55	53
CD481789XBL	48	24~53	1.03	49.4	3150	420	0.76	61
CD481789UBL	48	24~53	1.3	62.4	3600	485	0.89	65

DC Axial Fan



□ 180x180x65mm



Frame: Aluminum

Impeller: Glass fiber reinforced thermoplastic impeller, rated UL94V-0

Ambient Temperature Range: -10°C ~ +70°C

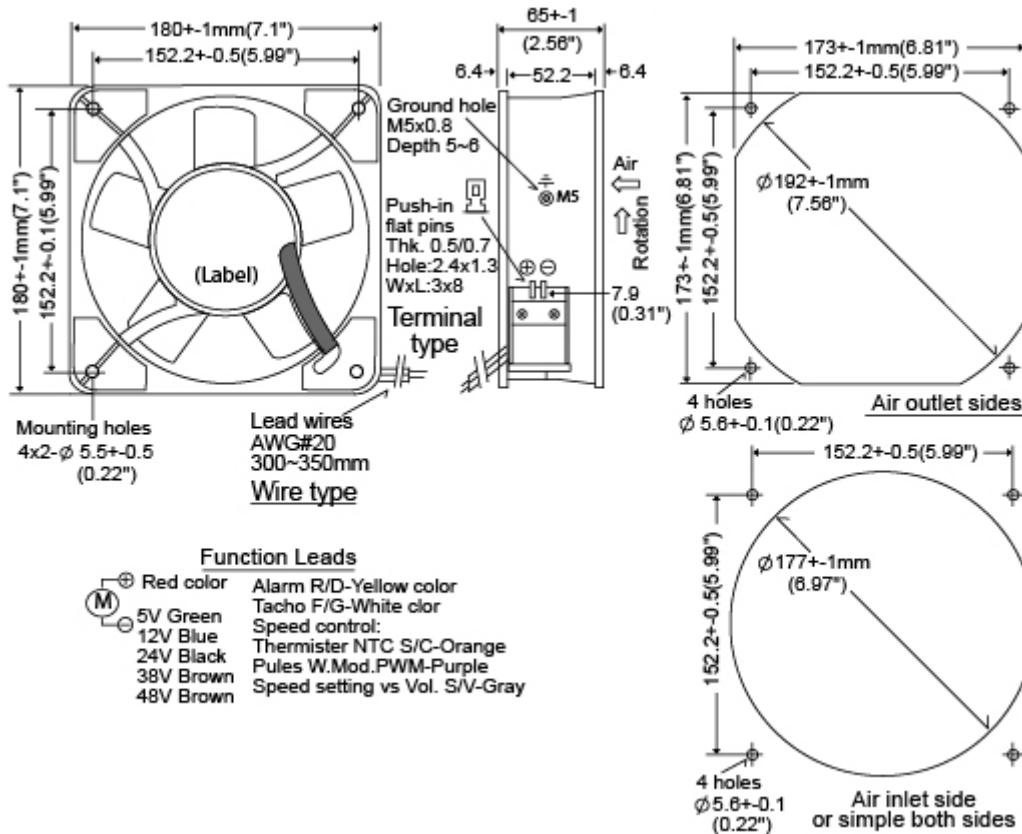
Bearing: Sleeve or Ball

Motor Structure: DC Brushless Motor

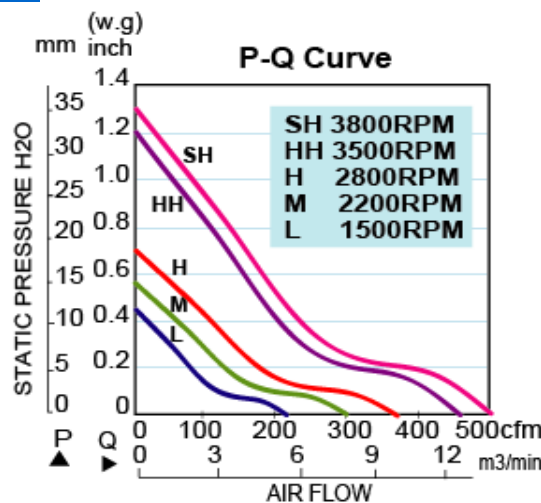
Termination: Lead wire 300± 10mm

Package: 1450 g / PC

Dimension (units:mm)



Characteristic Curves





□ 180x180x65mm



SPECIFICATION

Model	Voltage (V)	Operating Voltage Range(VDC)	Current (A)	Power (W)	Speed (RPM)	Air Flow (CFM)	Pressure (in-H ₂ O)	Noise (dB)
CD121865LBL	12	10~14	0.45	5.5	1500	215	0.42	36
CD121865MBL	12	10~14	1.1	13.2	2200	300	0.58	46
CD121865HBL	12	9~13.8	1.9	23	2800	375	0.7	53
CD121865XBL	12	9~13.8	4.2	50.4	3400	460	1.1	63
CD121865UBL	12	9~13.8	5.4	64.8	3700	490	1.25	68
CD241865LBL	24	15~28	0.2	5	1500	215	0.42	36
CD241865MBL	24	12~28	0.52	13	2200	300	0.58	46
CD241865HBL	24	12~27.6	0.97	24	2800	375	0.7	53
CD241865XBL	24	12~27.6	2.1	50.4	3500	470	1.2	65
CD241865UBL	24	12~27.6	2.65	63.6	3800	500	1.3	69
CD481865LBL	48	30~63	0.12	5.8	1500	215	0.42	36
CD481865MBL	48	28~60	0.3	14.5	2200	300	0.58	46
CD481865HBL	48	24~55	0.48	23.5	2800	375	0.7	53
CD481865XBL	48	24~55	1.03	49.4	3500	470	1.2	65
CD481865UBL	48	24~55	1.3	62.4	3800	500	1.3	69

DC Axial Fan



□ 200x70 mm



Frame: Aluminum

Impeller: Glass fiber reinforced thermoplastic impeller, rated UL94V-0

Ambient Temperature Range: -15°C ~ +65°C

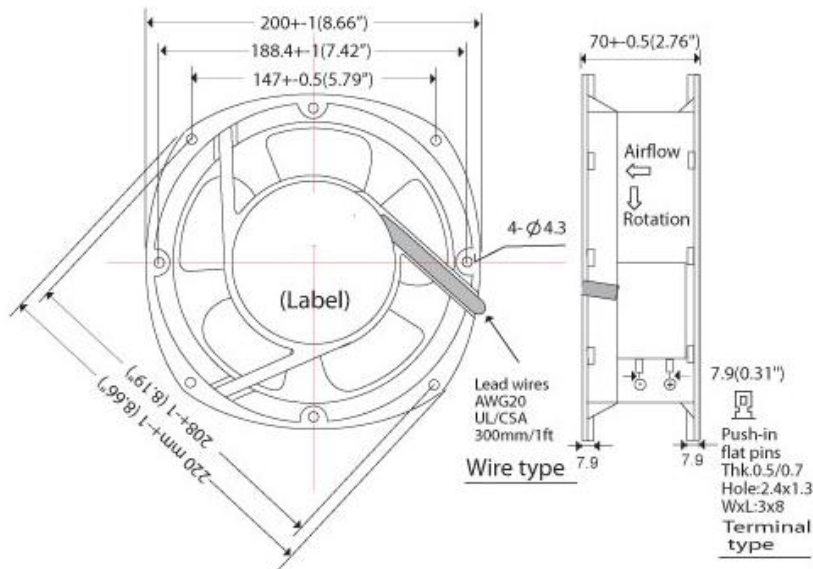
Bearing: Sleeve or Ball

Motor Structure: DC Brushless Motor

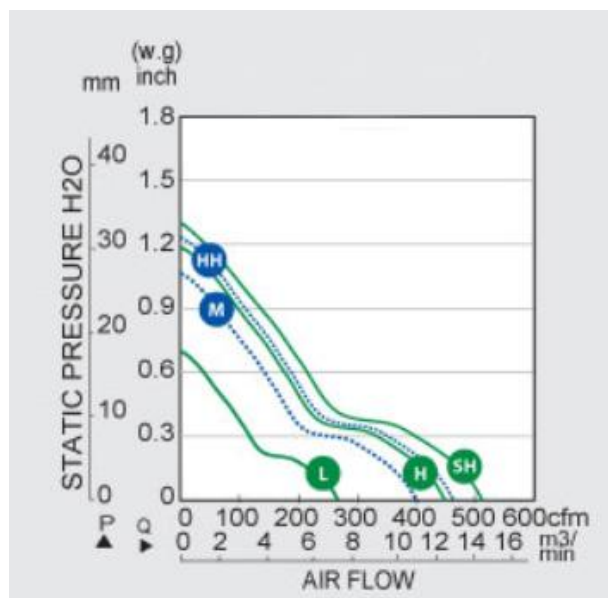
Termination: Lead wire 300± 10mm or terminal

Package: 1800 g / PC

Dimension (units:mm)



Characteristic Curves





200x70 mm



SPECIFICATION

Model	Voltage (V)	Operating Voltage Range(VDC)	Current (A)	Power (W)	Speed (RPM)	Air Flow (CFM)	Pressure (in-H ₂ O)	Noise (dB)
CD122070LBL	12	10~16	0.45	5.5	1800	280	0.7	39
CD122070MBL	12	9~14	1.1	13.2	2400	380	1.05	53
CD122070HBL	12	9~13.6	1.9	23	2600	425	1.15	57
CD122070XBL	12	9~13.6	4.2	50.4	2900	455	1.25	60
CD122070UBL	12	9~13.6	5.4	64.8	3050	495	1.26	65
CD242070LBL	24	16~28	0.2	5	1800	280	0.7	39
CD242070MBL	24	16~27.6	0.52	13	2500	400	1.1	53
CD242070HBL	24	16~27.6	0.97	24	3000	460	1.26	58
CD242070XBL	24	16~27.6	2.1	50.4	3200	470	1.27	63
CD242070UBL	24	16~27.6	2.65	63.6	3300	505	1.3	69
CD482070LBL	48	32~63	0.12	5.8	1800	280	0.7	39
CD482070MBL	48	30~56	0.3	14.5	2500	400	1.1	53
CD482070HBL	48	30~56	0.48	23.5	3000	460	1.26	58
CD482070XBL	48	30~53	1.03	49.4	3200	470	1.27	63
CD482070UBL	48	30~53	1.3	62.4	3300	505	1.3	69

DC Axial Fan



□ 254x89 mm



Frame: Aluminum

Impeller: Glass fiber reinforced thermoplastic , rated UL94V-0

Ambient Temperature Range: -15°C ~ +65°C

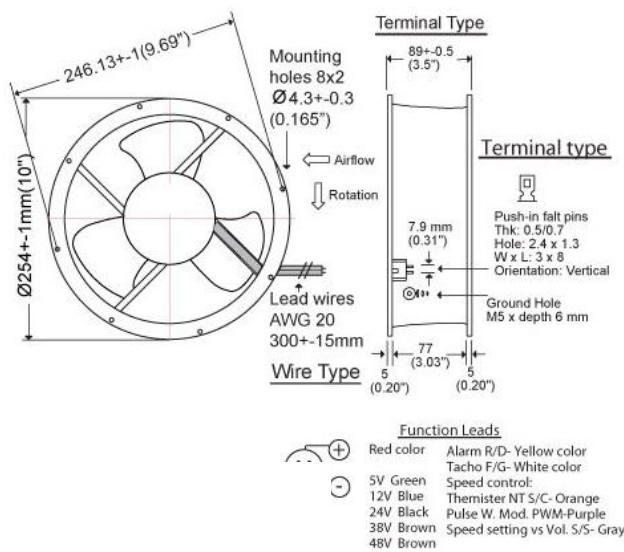
Bearing: Two ball bearings

Motor Structure: DC Brushless Motor

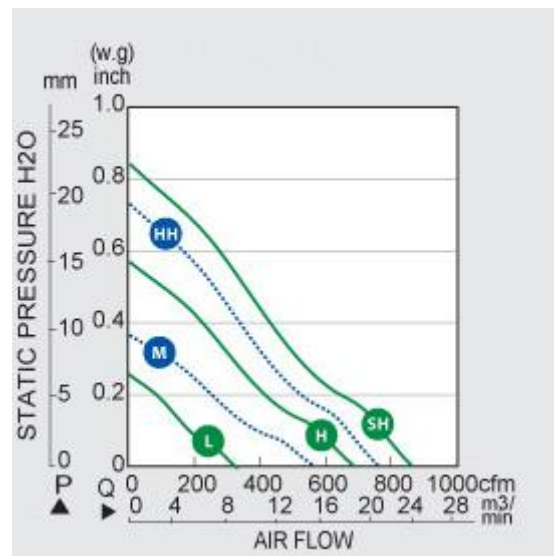
Termination: Lead wire 300± 10mm

Package: 1830 g / PC

Dimension (units:mm)



Characteristic Curves



DC Axial Fan

SPECIFICATION

Model	Voltage (V)	Operating Voltage Range(VDC)	Current (A)	Power (W)	Speed (RPM)	Air Flow (CFM)	Pressure (in-H2O)	Noise (dB)
CD122589HBL	12	9~13	1.9	23	2000	690	0.56	47
CD122589XBL	12	9~13	4.2	50.4	2200	750	0.69	56
CD122589UBL	12	9~13	5.4	64.8	2400	830	0.78	60
CD242589HBL	24	16~27	0.97	24	2000	690	0.58	47
CD242589XBL	24	16~27	2.1	50.4	2300	760	0.71	58
CD242589UBL	24	16~27	2.65	63.6	2500	850	0.83	62
CD482589XBL	48	24~53	1.03	49.4	2300	760	0.71	58
CD482589UBL	48	24~53	1.3	62.4	2500	850	0.83	62



□ 254x89 mm



SPECIFICATION

Model	Voltage (V)	Operating Voltage Range(VDC)	Current (A)	Power (W)	Speed (RPM)	Air Flow (CFM)	Pressure (in-H ₂ O)	Noise (dB)
CD122589LBL	12	10~13.8	6	72	1900	690	0.73	56
CD122589MBL	12	10~13.8	7.8	93	2400	830	0.98	63
CD122589HBL	12	10~13.2	10.8	130	2600	910	1.1	68
CD242589LBL	24	18~27.6	3	72	2000	700	0.83	58
CD242589MBL	24	18~26	3.9	93	2500	900	1.1	65
CD242589HBL	24	18~26	5.2	125	3000	1050	1.2	72
CD482589LBL	48	24~53	1.5	72	2000	700	0.83	58
CD482589MBL	48	24~53	1.9	93	2500	900	1.1	65
CD482589HBL	48	24~53	2.6	125	3000	1050	1.2	72



□ 280x280x88.9 mm



Frame: Aluminum

Impeller: Glass fiber reinforced thermoplastic impeller, rated UL94V-0

Ambient Temperature Range: -10°C ~ +70°C

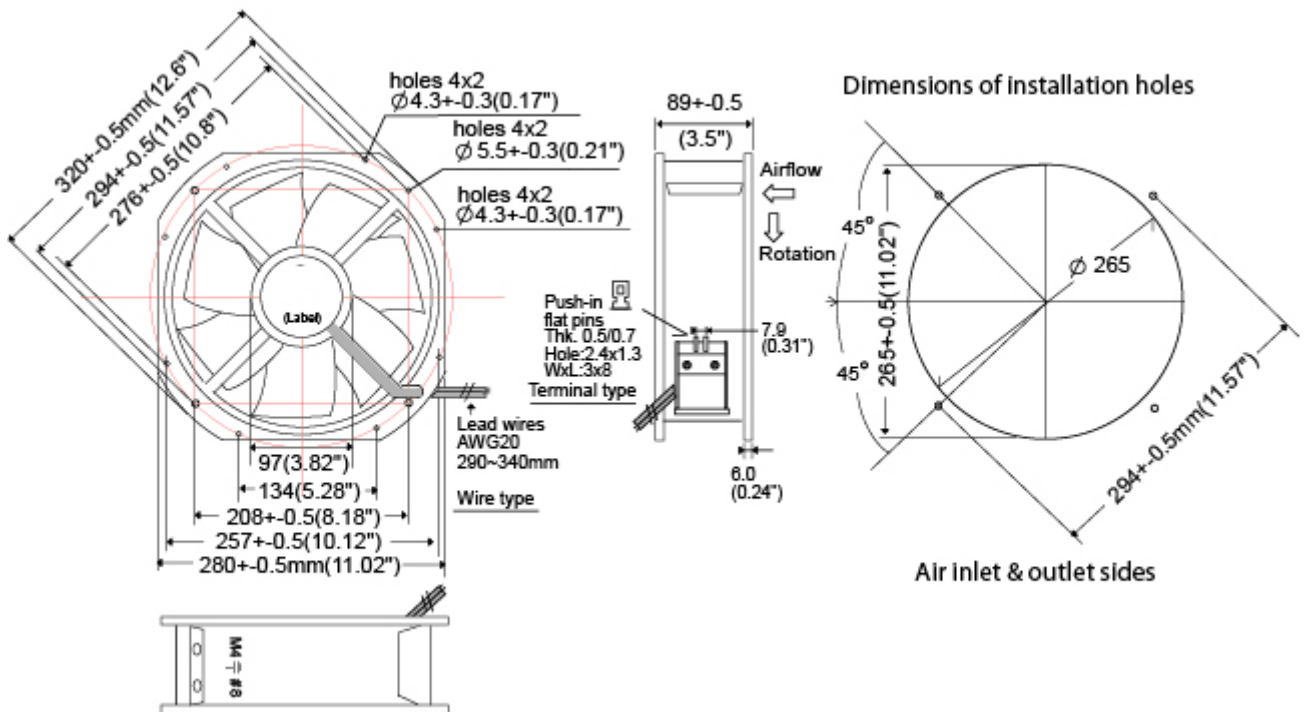
Bearing: Sleeve or Ball

Motor Structure: DC Brushless Motor

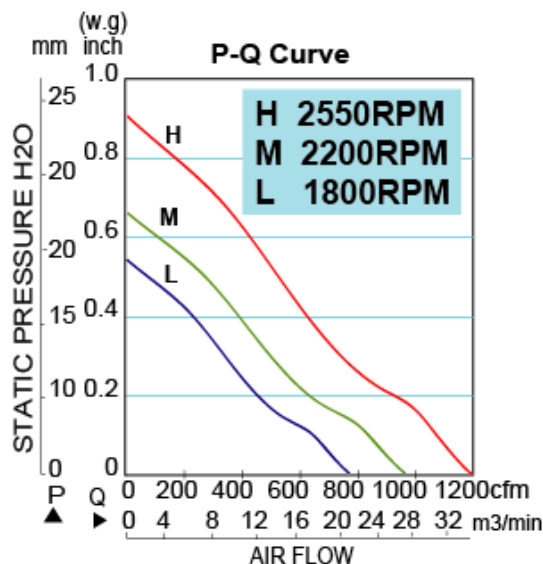
Termination: Lead wire 290 mm

Package: 2800 g / PC

Dimension (units:mm)



Characteristic Curves





□ 280x280x88.9 mm



SPECIFICATION

Model	Voltage (V)	Operating Voltage Range(VDC)	Current (A)	Power (W)	Speed (RPM)	Air Flow (CFM)	Pressure (in-H ₂ O)	Noise (dB)
CD122889LBL	12	9~13.5	4.2	50	1800	867	0.55	48
CD122889MBL	12	9~13.5	7.5	90	2100	1011	0.63	55
CD242889LBL	24	18~27.6	1.1	26.4	1800	867	0.55	48
CD242889MBL	24	18~27.6	2.45	58.8	2200	1060	0.65	56
CD242889HBL	24	18~27.6	4.35	104.4	2450	1180	0.9	72
CD482889LBL	48	24~55	0.55	26.4	1500	722	0.55	48
CD482889MBL	48	24~55	1.2	57.6	2200	1060	0.65	56
CD482889HBL	48	24~55	2.2	105.6	2450	1180	0.9	72



□ 172x150x38mm



Frame: Aluminum

Impeller: Steel

Ambient Temperature Range: -10°C ~ +70°C

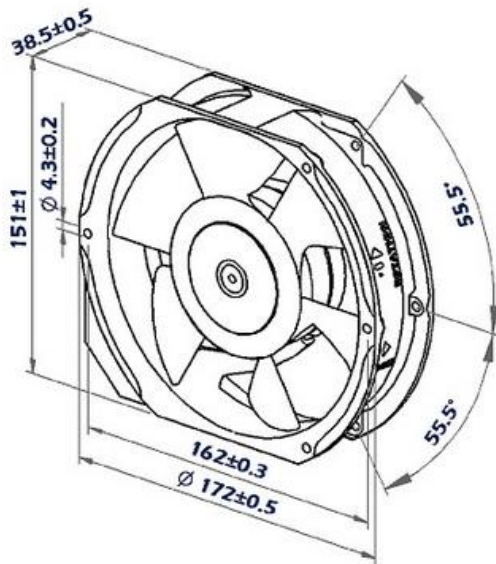
Bearing: Ball **IP54**

Motor Structure: DC Permanent Magnet Brushless

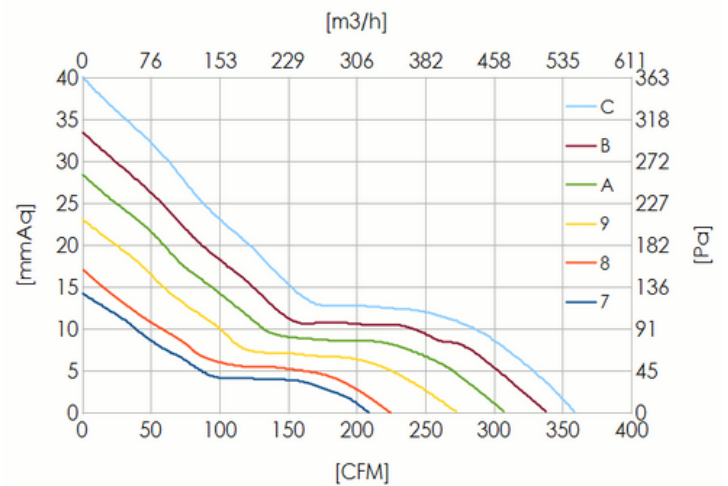
Termination: Terminals or Lead wire

Package: 880 g / PC, 12PCS/CTN

Dimension (units:mm)



Characteristic Curves



SPECIFICATION

Model	Voltage (V)	Current (A)	Speed (RPM)	Air Flow (CFM)	Pressure (mmAq)	Noise (dB)	Curve NO.
CDMx1738LB	12/24/48	1.1/0.54/0.28	2800	210	14.5	52	7
CDMx1738MB	12/24/48	1.59/0.78/0.37	3200	245	18.6	56	8
CDMx1738HB	12/24/48	2.34/1.08/0.52	3600	275	23.1	60	9
CDMx1738XB	12/24/48	3.33/1.38/0.68	4000	310	28.5	64	A
CDMx1738XB	24/48	1.91/0.9	4400	340	33.4	68	B
CDMx1738XB	24/48	2.34/1.13	4800	360	39.2	72	C

x: 6(12V),7(24V),8(48V)

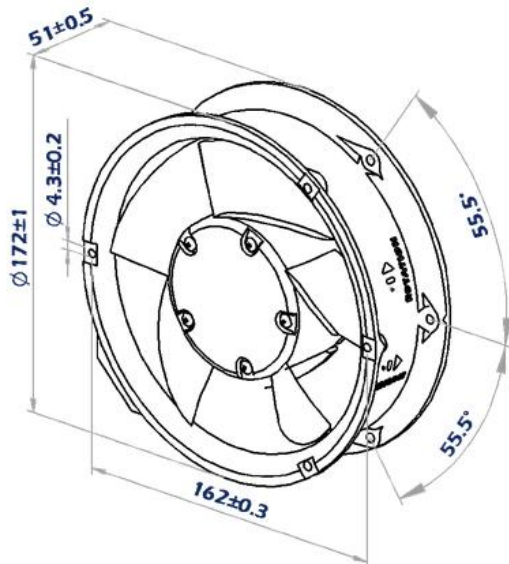


□ 172x51mm

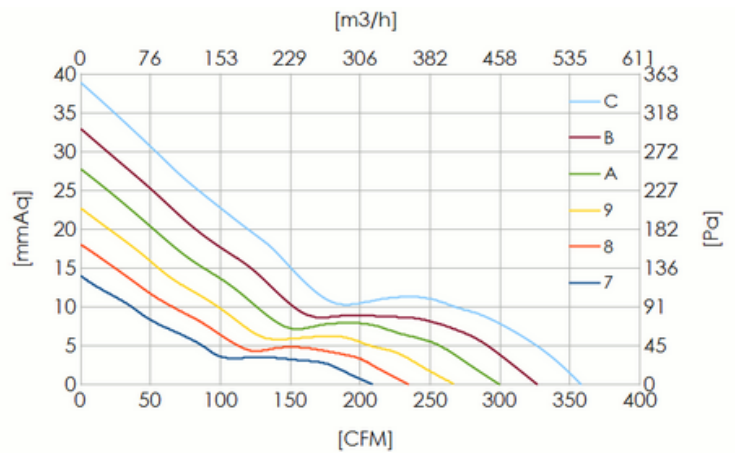


Frame: Aluminum
Impeller: Steel
Ambient Temperature Range: -10°C ~ +70°C
Bearing: Ball **IP54**
Motor Structure: DC Permanent Magnet Brushless
Termination: Terminal or Lead Wire
Package: 1100 g / PC, 12PCS/CTN

Dimension (units:mm)



Characteristic Curves



DC Axial Fan

SPECIFICATION

Model	Voltage (V)	Current (A)	Speed (RPM)	Air Flow (CFM)	Pressure (mmAq)	Noise (dB)	Curve NO.
CDMx1751LB	12/24/48	1.17/0.56/0.28	2800	210	14.2	52	7
CDMx1751MB	12/24/48	1.6/0.77/0.39	3200	245	18.1	56	8
CDMx1751HB	12/24/48	2.39/1.07/0.51	3600	275	22.7	60	9
CDMx1751XB	12/24/48	2.76/1.38/0.69	4000	310	27.8	64	A
CDMx1751XB	24/48	1.8/0.9	4400	340	32.9	68	B
CDMx1751XB	24/48	2.3/1.18	4800	360	37.8	72	C

x: 6(12V),7(24V),8(48V)

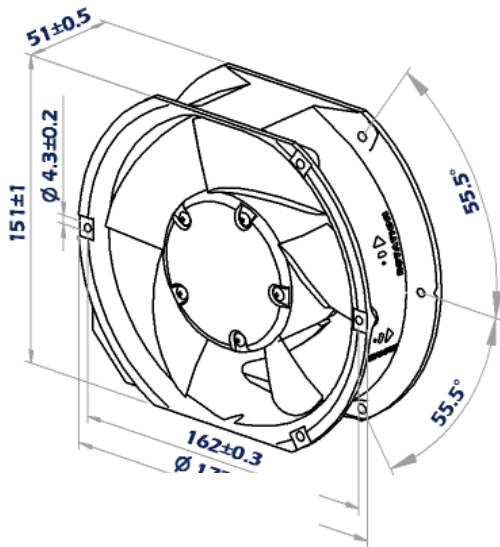


□ 172x150x51mm

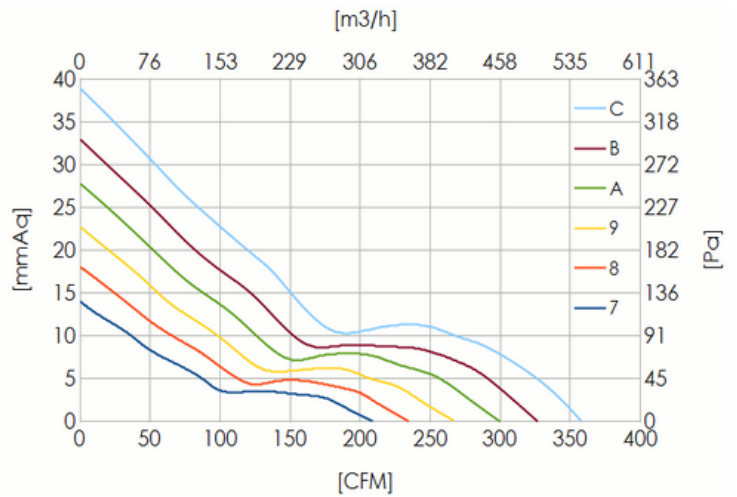


- Frame:** Aluminum
- Impeller:** Steel
- Ambient Temperature Range:** -10°C ~ +70°C
- Bearing:** Ball **IP54**
- Motor Structure:** DC Permanent Magnet Brushless
- Termination:** Terminal or Lead Wire
- Package:** 1100 g / PC, 12PCS/CTN

Dimension (units:mm)



Characteristic Curves



SPECIFICATION

Model	Voltage (V)	Current (A)	Speed (RPM)	Air Flow (CFM)	Pressure (mmAq)	Noise (dB)	Curve NO.
CDMx1751LB	12/24/48	1.17/0.56/0.28	2800	210	14.2	52	7
CDMx1751MB	12/24/48	1.6/0.77/0.39	3200	245	18.1	56	8
CDMx1751HB	12/24/48	2.39/1.07/0.51	3600	275	22.7	60	9
CDMx1751XB	12/24/48	2.76/1.38/0.69	4000	310	27.8	64	A
CDMx1751XB	24/48	1.8/0.9	4400	340	32.9	68	B
CDMx1751XB	24/48	2.30/1.18	4800	360	37.8	72	C

x: 6(12V),7(24V),8(48V)

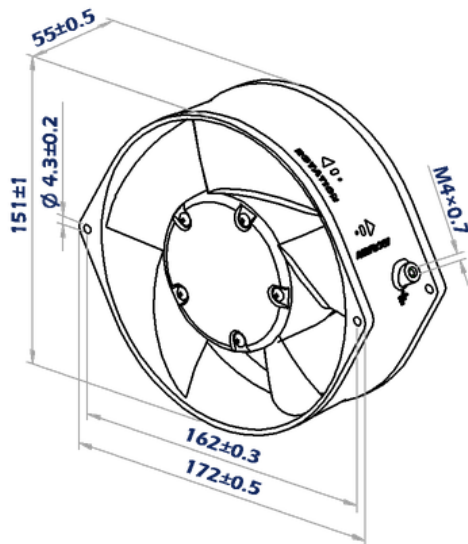


□ 172x150x55mm

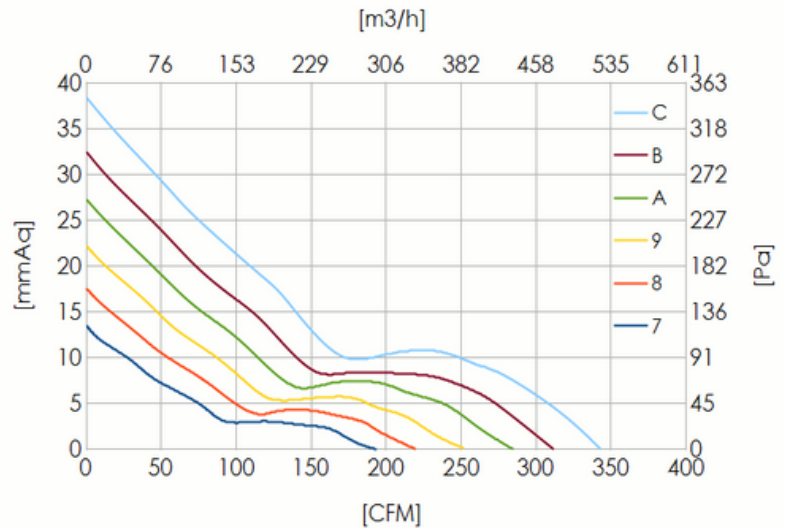


- Frame:** Aluminum
- Impeller:** Steel
- Ambient Temperature Range:** -10°C ~ +70°C
- Bearing:** Ball **IP54**
- Motor Structure:** DC Permanent Magnet Brushless
- Termination:** Terminal or Lead wire
- Package:** 1040 g / PC, 12PCS/CTN

Dimension (units:mm)



Characteristic Curves



DC Axial Fan

SPECIFICATION

Model	Voltage (V)	Current (A)	Speed (RPM)	Air Flow (CFM)	Pressure (mmAq)	Noise (dB)	Curve NO.
CDMx1755LB	12/24/48	1.17/0.56/0.28	2800	195	12.1	59	7
CDMx1755MB	12/24/48	1.6/0.77/0.39	3200	230	15.9	62	8
CDMx1755HB	12/24/48	2.39/1.07/0.51	3600	260	20.5	65	9
CDMx1755XB	12/24/48	2.76/1.38/0.69	4000	295	25.6	68	A
CDMx1755XB	24/48	1.8/0.9	4400	325	30.7	71	B
CDMx1755XB	24/48	2.3/1.18	4800	345	35.7	74	C

x: 6(12V),7(24V),8(48V)



□ 176x176x89 mm



Frame: Aluminum

Impeller: All metal fan blades, high impact, high performance metal impeller

Ambient Temperature Range: -20°C ~ +65°C

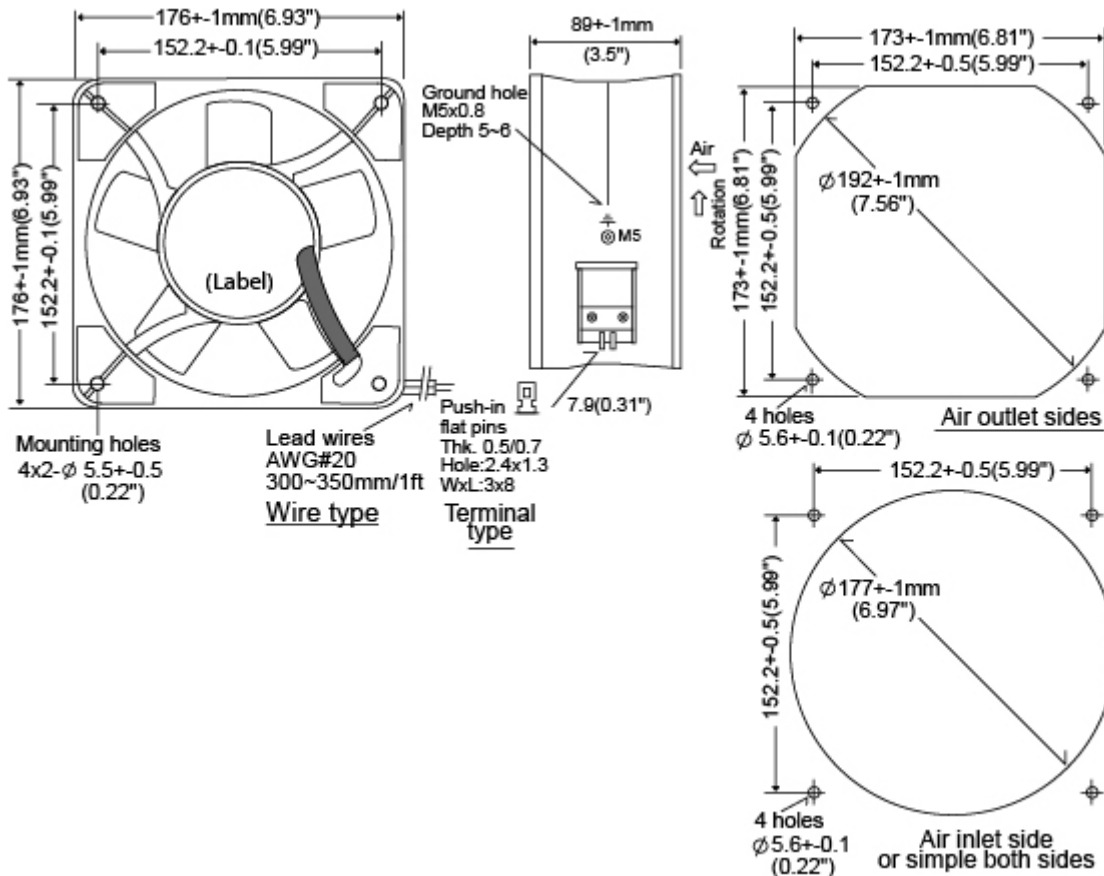
Bearing: Ball

Motor Structure: DC Brushless Motor

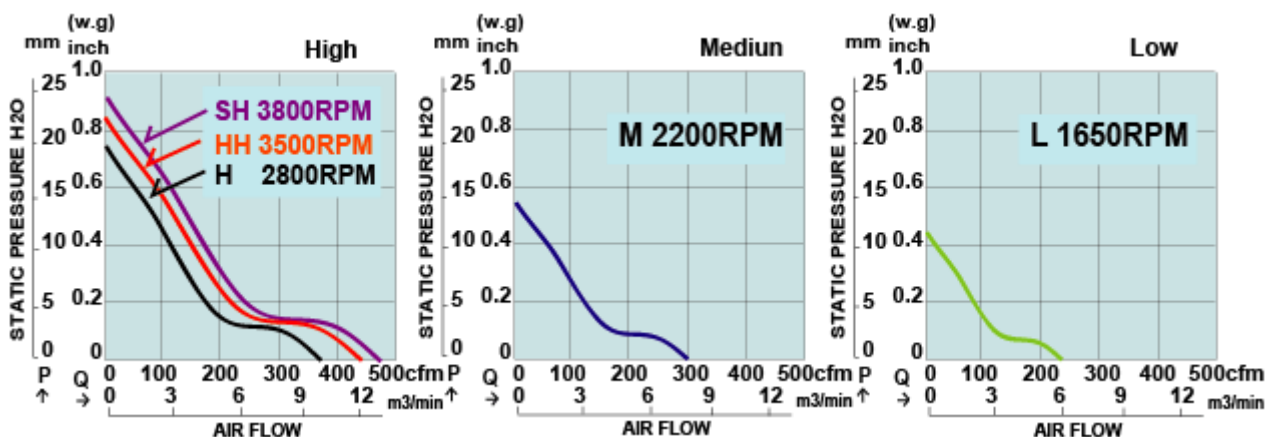
Termination: Lead wire 300 mm

Package: 1450g / PC

Dimension (units:mm)



Characteristic Curves





□ 176x176x89 mm



SPECIFICATION

Model	Voltage (V)	Operating Voltage Range(VDC)	Current (A)	Power (W)	Speed (RPM)	Air Flow (CFM)	Pressure (in-H ₂ O)	Noise (dB)
CDM121789LBL	12	10~14	0.45	5.5	1650	235	0.41	39
CDM121789MBL	12	10~14	1.1	13.2	2200	300	0.58	49
CDM121789HBL	12	9~13.8	1.9	23	2800	370	0.75	58
CDM121789XBL	12	9~13.8	4.2	50.4	3400	445	0.82	62
CDM121789UBL	12	9~13.8	5.4	64.8	3700	480	0.86	64
CDM241789LBL	24	15~28	0.2	5	1650	235	0.41	39
CDM241789MBL	24	12~28	0.52	13	2200	300	0.58	49
CDM241789HBL	24	12~27.6	0.97	24	2800	370	0.75	58
CDM241789XBL	24	12~27.6	2.1	50.4	3500	450	0.83	62
CDM241789UBL	24	12~27.6	2.65	63.6	3800	485	0.88	65
CDM481789LBL	48	30~60	0.12	5.8	1650	235	0.41	39
CDM481789MBL	48	28~58	0.3	14.5	2200	300	0.58	49
CDM481789HBL	48	24~55	0.48	23.5	2800	370	0.75	58
CDM481789XBL	48	22~53	1.03	49.4	3500	450	0.83	62
CDM481789UBL	48	22~53	1.3	62.4	3800	485	0.88	65



□ 180x180x65 mm



Frame: Aluminum

Impeller: All metal fan blades, high impact, high performance metal impeller

Ambient Temperature Range: -20°C ~ +65°C

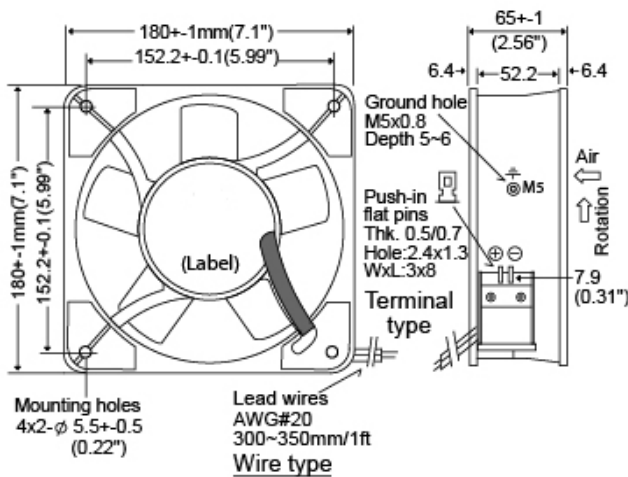
Bearing: Ball

Motor Structure: DC Brushless Motor

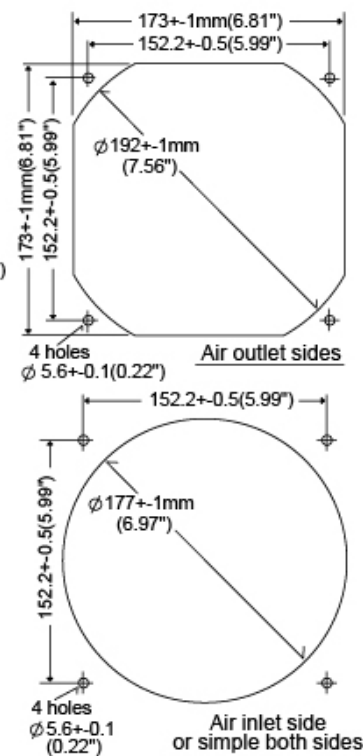
Termination: Lead wire 300 mm

Package: 1400g / PC

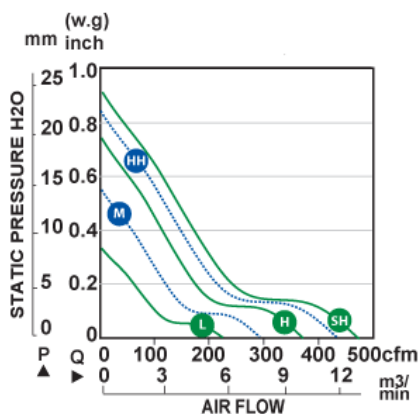
Dimension (units:mm)



Dimensions of Installation holes



Characteristic Curves





□ 180x180x65 mm



SPECIFICATION

Model	Voltage (V)	Operating Voltage Range(VDC)	Current (A)	Power (W)	Speed (RPM)	Air Flow (CFM)	Pressure (in-H ₂ O)	Noise (dB)
CDM121865LBL	12	10~14	0.45	5.5	1600	220	0.38	38
CDM121865MBL	12	10~14	1.1	13.2	2200	295	0.55	49
CDM121865HBL	12	9~13.8	1.9	23	2800	360	0.72	58
CDM121865XBL	12	9~13.8	4.2	50.4	3400	440	0.82	62
CDM121865UBL	12	9~13.8	5.4	64.8	3700	475	0.87	64
CDM241865LBL	24	15~28	0.2	5	1600	220	0.38	38
CDM241865MBL	24	12~28	0.52	13	2200	295	0.55	49
CDM241865HBL	24	12~27.6	0.97	24	2800	360	0.72	58
CDM241865XBL	24	12~27.6	2.1	50.4	3500	445	0.82	62
CDM241865UBL	24	12~27.6	2.65	63.6	3800	480	0.88	66
CDM481865LBL	48	30~60	0.12	5.8	1600	220	0.38	38
CDM481865MBL	48	28~58	0.3	14.5	2200	295	0.55	49
CDM481865HBL	48	24~55	0.48	23.5	2800	360	0.72	58
CDM481865XBL	48	24~53	1.03	49.4	3500	445	0.82	62
CDM481865UBL	48	24~53	1.3	62.4	3800	480	0.88	66

DC Axial Fan



□ 200x70 mm



SPECIFICATION

Model	Voltage (V)	Operating Voltage Range(VDC)	Current (A)	Power (W)	Speed (RPM)	Air Flow (CFM)	Pressure (in-H ₂ O)	Noise (dB)
CDM122070LBL	12	9~14	0.45	5.5	1900	330	0.65	43
CDM122070MBL	12	9~13.6	1.1	13.2	2500	430	0.95	55
CDM122070HBL	12	9~13.6	1.9	23	2800	395	0.88	59
CDM122070XBL	12	9~13.6	4.2	50.4	3100	420	0.98	62
CDM122070UBL	12	9~13.6	5.4	64.8	3300	440	1.05	65
CDM242070LBL	24	16~28	0.2	5	1900	330	0.65	42
CDM242070MBL	24	16~28	0.52	13	2500	430	0.95	55
CDM242070HBL	24	16~27.6	0.97	24	3300	440	1.05	64
CDM242070XBL	24	16~27.6	2.1	50.4	3600	475	1.15	66
CDM242070UBL	24	16~27.6	2.65	63.6	3900	510	1.25	68
CDM482070LBL	48	30~58	0.12	5.8	1900	330	0.65	42
CDM482070MBL	48	30~56	0.3	14.5	2500	430	0.95	55
CDM482070HBL	48	30~53	0.48	23.5	3300	440	1.05	64
CDM482070XBL	48	30~53	1.03	49.4	3600	475	1.15	66
CDM482070UBL	48	30~53	1.3	62.4	3900	510	1.25	68

DC Axial Fan



□225x225x80 mm (□9x9x3.1 in)



Frame: Die cast aluminum

Impeller: Steel

Ambient Temperature Range: -10°C ~ +70°C

Operating Voltage Range: Rated Voltage ±10%

Motor Structure: DC Permanent Magnet Brushless

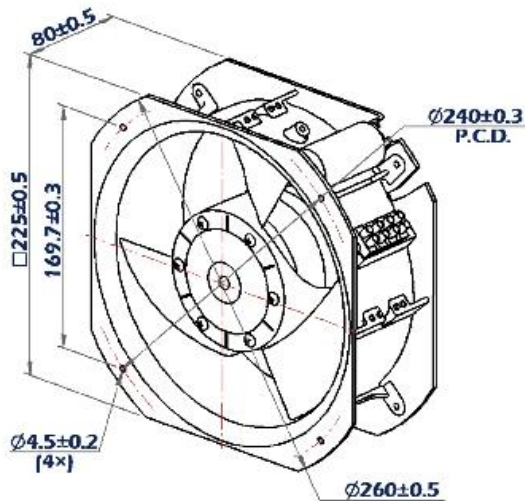
Motor protection: Locked Rotor Protection and Polarity Protection

Protection Grade: Insulation Class B, IP54

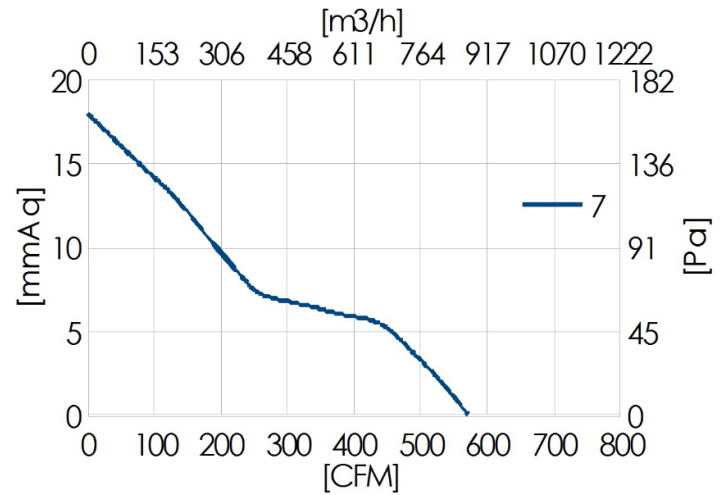
Option: RD, FG, PWM/Voltage(0-10 VDC)

Package: 2530g / PC

Dimension (units:mm)



Characteristic Curves



DC Axial Fan

SPECIFICATION

Model	Voltage (V)	Current (A)	Speed (RPM)	Air Flow (CFM)	Pressure (mmAq)	Noise (dB)
CDM62280HB	24	2.2	2800	580	18	67
CDM82280HB	48	1.1	2800	580	18	67

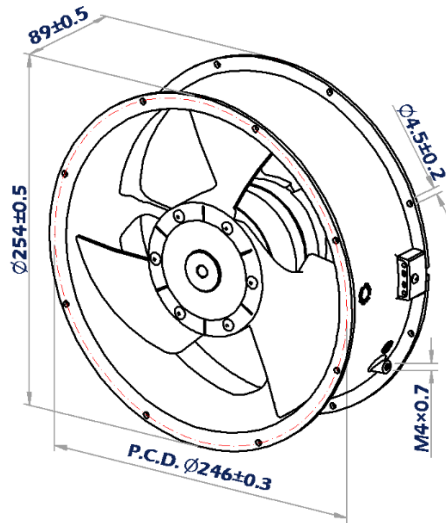


□ 254x89 mm

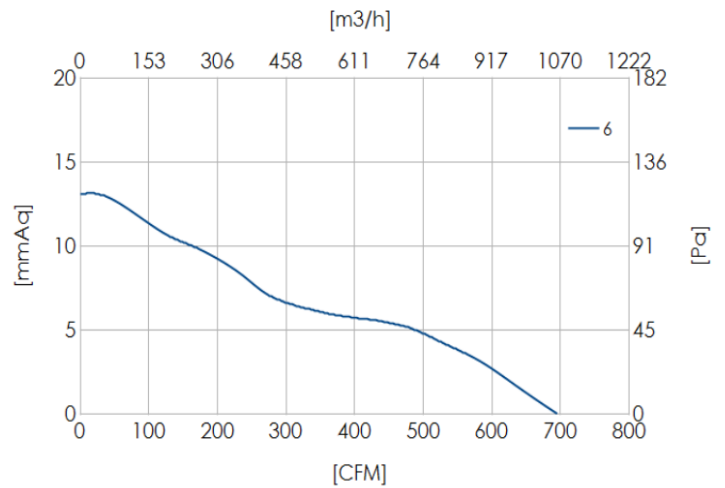


- Frame:** Aluminum **IP54**
- Impeller:** Steel
- Operating Temperature :** -10°C ~ +70°C
- Bearing:** Ball
- Motor Structure:** DC Permanent Magnet Brushless
- Termination:** Lead wire
- Package:** 2550g / PC

Dimension (units:mm)



Characteristic Curves



SPECIFICATION

Model	Voltage (V)	Current (A)	Speed (RPM)	Air Flow (CFM)	Pressure (mmAq)	Noise (dB)
CDM72589HB	24	2.02	2800	784	14.6	60
CDM82589HB	48	1.36	2500	784	14.6	60



□280x280x80 mm (□11x11x3.1 in)



Frame: Die cast aluminum

Impeller: Steel blades

Operating Temperature : -10°C ~ +70°C

Operating Voltage Range: Rated Voltage ±10%

Bearing: Maintenance-Free Ball Bearings

Motor Structure: DC Permanent Magnet Brushless

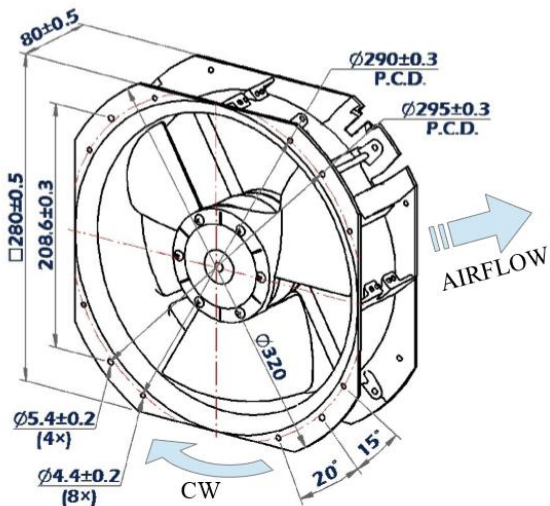
Motor protection: Locked Rotor Protection and Polarity Protection

Protection Grade: Insulation Class B, IP54

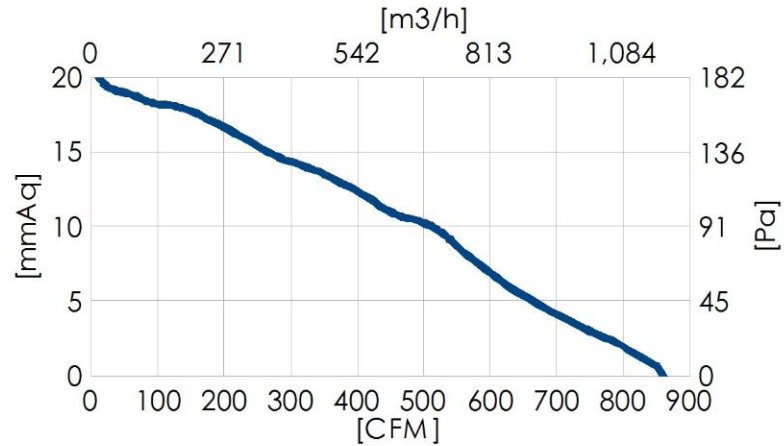
Option: RD, FG, PWM/Voltage(0-10 VDC)

Package: 3050g / PC

Dimension (units:mm)



Characteristic Curves



DC Axial Fan

SPECIFICATION

Model	Voltage (V)	Current (A)	Speed (RPM)	Air Flow (CFM)	Pressure (mmAq)	Noise (dB)
CDM72880HB	24	3/1.2	2300	860	21.5	65
CDM82880HB	48	3/1.2	2300	860	21.5	65



□ 280x280x88.9 mm



Frame: Aluminum

Impeller: All metal fan blades

Ambient Temperature Range: -20°C ~ +65°C

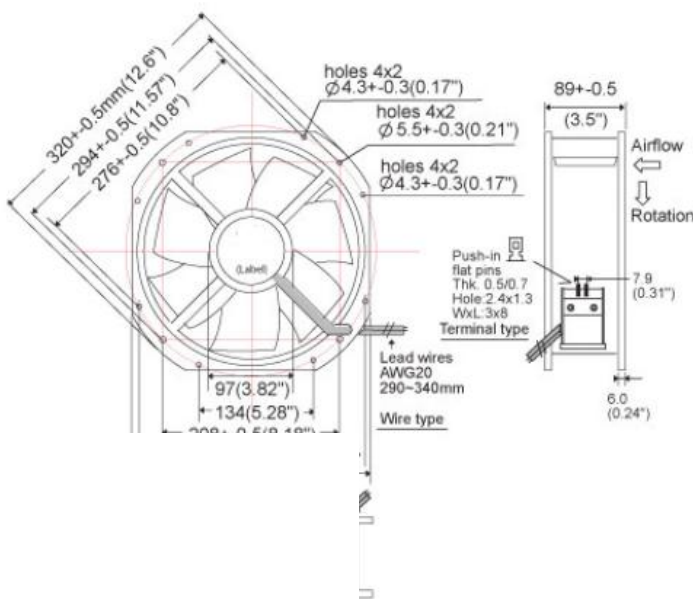
Bearing: Ball

Motor Structure: Microprocessor brushless DC Motor, auto cutoff, auto restart

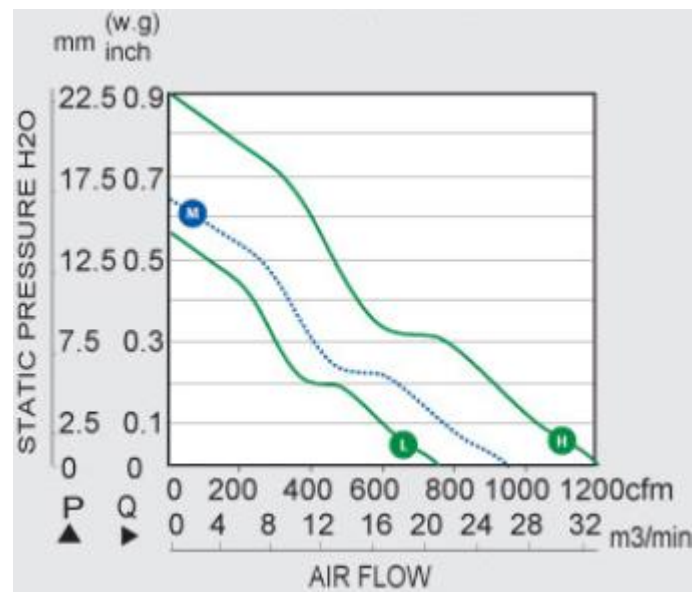
Termination: Lead wire 290 mm

Packaae: 2950a / PC

Dimension (units:mm)



Characteristic Curves



DC Axial Fan

SPECIFICATION

Model	Voltage (V)	Operating Voltage Range(VDC)	Current (A)	Power (W)	Speed (RPM)	Air Flow (CFM)	Pressure (in-H2O)	Noise (dB)
CDM122889LBL	12	9~13.5	2.2	26.4	1800	780	0.51	48
CDM122889MBL	12	9~13.5	4.9	58.8	2200	950	0.65	56
CDM122889HBL	12	9~13.5	8.7	104.4	2500	1150	0.9	70
CDM242889LBL	24	18~27.6	1.1	26.4	1800	780	0.55	48
CDM242889MBL	24	18~27.6	2.45	58.8	2200	950	0.65	56
CDM242889HBL	24	18~27.6	4.35	104.4	2550	1200	0.9	72
CDM482889LBL	48	24~60	0.55	26.4	1800	780	0.51	48
CDM482889MBL	48	24~58	1.2	57.6	2200	950	0.65	56
CDM482889HBL	48	24~55	2.2	105.6	2550	1200	0.9	72